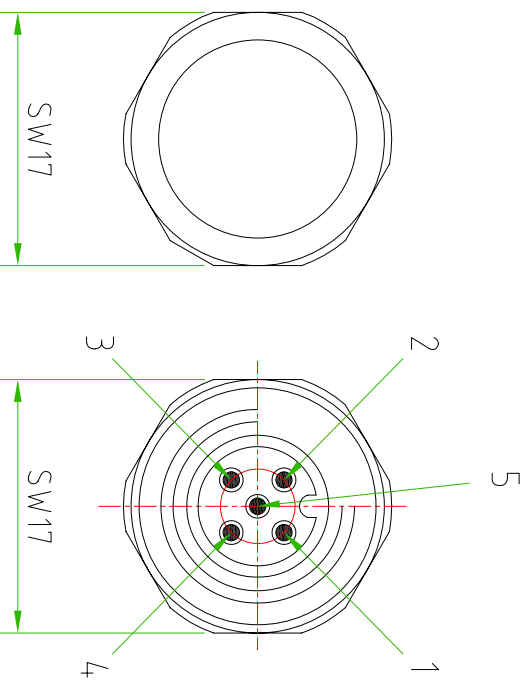
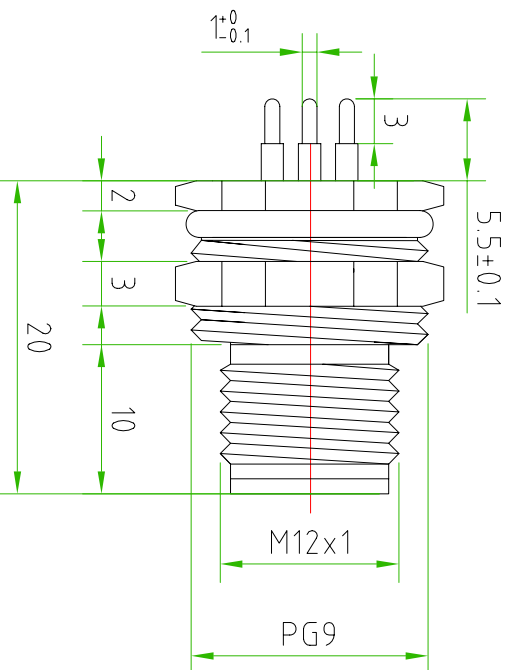


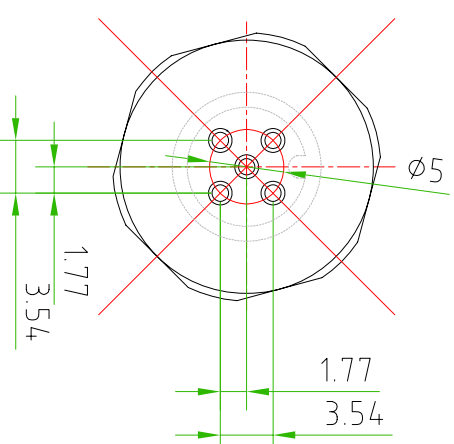
Frontal view



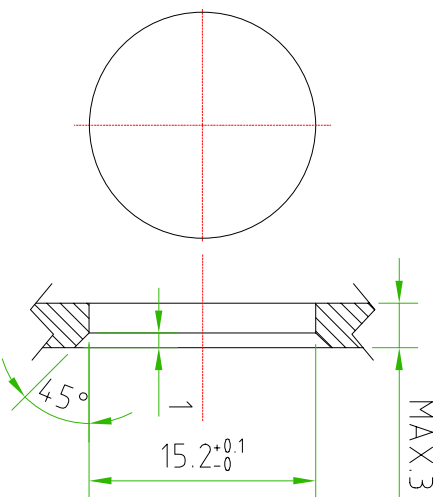
Lateral view




Back view



PANEL SIZE



CONNECTOR FEATURES	
CONNECTOR TYPE	M12 TO PANEL
MOUNTING TYPE	BACK
CONTACT TYPE	MALE
NUMBER OF CONTACTS CONNECTED	n°5
HOUSING MATERIAL	Brass+nickel plated (CuZnNi)
FIXING THREAD	PG9
SWITCH FIXED NUT	SW17
CONTACT TYPE	SOLDERED FOR PCB
CONTACT LENGHT	5.5mm ±0.1
RATED VOLTAGE	60V
RATED CURRENT	4A

TOLLERANZE	DISIGNATORE	DATA	SCALA	DISIGNO N.
UDM ±0.2	LORENZO CEMINO	25.10.12	2:1	
ANGOLO	CONTROLLO			
DESCRIZIONE		M12 MALE PANEL 5 POLES BACK MOUNTING PG9 FOR PCB		DESIGNO N.
		M12		MATERIALE
 H.T.P. HIGH TECH PRODUCTS		CODICE 12MS5000-PG9		