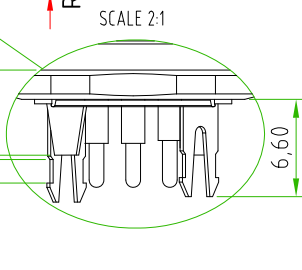
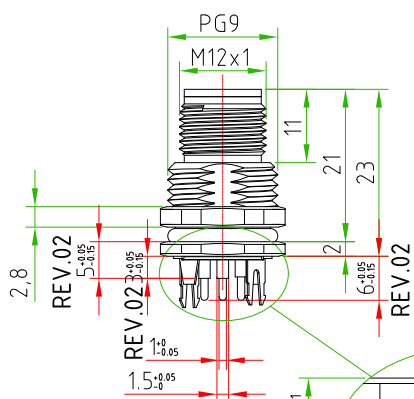
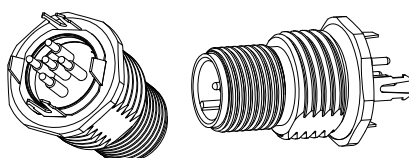
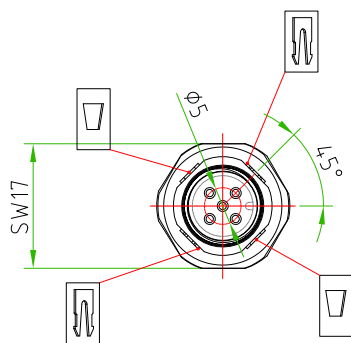


Rev.	Modify	Date	Signed	Approved

Rev.	Modify	Date	Signed	Approved

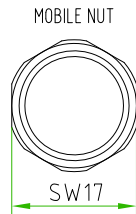
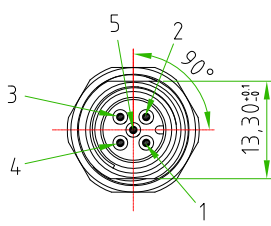
Rev.	Modify	Date	Signed	Approved
01	-	2016-06-06	L.CIMMINO	R.SUGLIANI
02	-	2018-07-24	R.SUGLIANI	L.CIMMINO



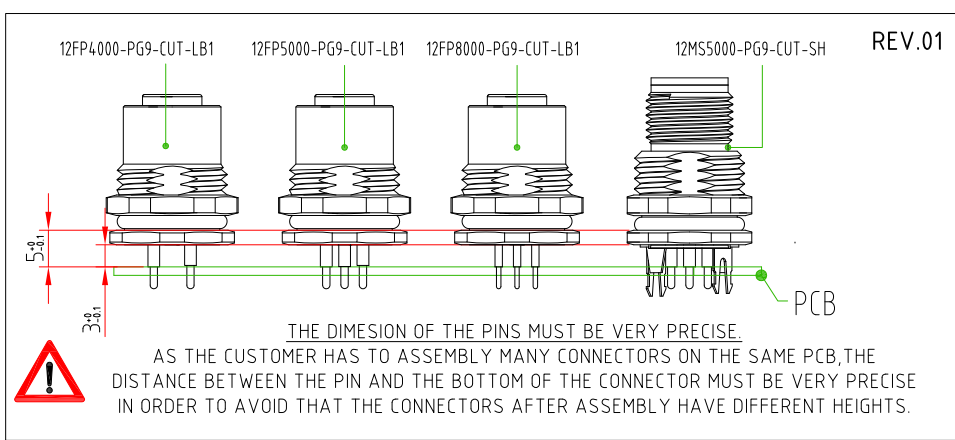
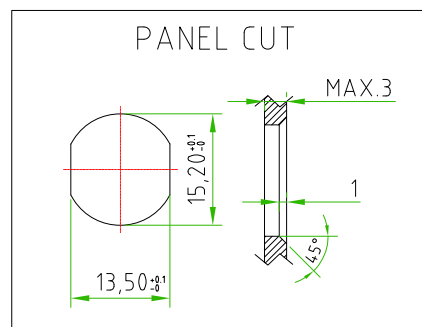
! PAY ATTENTION OF THE RED DIMENSIONS BECAUSE ARE VERY IMPORTANT!

PRODUCT TYPE	M12 CIRCULAR CONNECTOR TO PANEL WITH SOLDER CONTACTS FOR PCB
TYPE MOUNTING	BACK MOUNTING
CONTACTS TYPE	MALE 5POLES
NUMBER OF CONTACTS CONNECTED	N°5
HOUSING MATERIAL	BRASS+NICKEL PLATED
O-RING MATERIAL	NBR
FIXING THREAD	PG9
SIZE CUT	13,30mm (+0,1/-0)
SIZE FIXED NUT(SW)	SW17
SIZE MOBILE NUT(SW)	SW17
PROTECTION CLASS	IP67
RATED VOLTAGE	60V AC/DC
RATED CURRENT	4A
CONNECTOR WITHOUT ANY LOGO	

! PAY ATTENTION: THE METAL SHEET WILL BE PROVIDED BY NDT CODE: 12-METALSHEET-SH



! PAY ATTENTION to the position of the polarization key towards the CUT and the exagonal fixing nut.



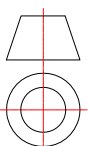
CUSTOMER APPROVAL

SIGNATURE	DATE

PLEASE SIGN AND RETURN

Designer	SUGLIANI R.	Date	2017-05-15	Tolerance	±0.2	Units:	mm	Series	M12	Drawing n.	1-1
Approved	CIMMINO L.	Date	2017-05-15	Scale	1:1	Size:	A4	Customer code:			

A4



DESCRIPTION
CIRCULAR CONNECTOR M12, MALE, TO PANEL, 5POLES, BACK MOUNTING, PG9 THREAD, COMPLETE WITH CUT, WITH CONTACTS SUITABLE TO BE SOLDERED ON PCB. CONNECTOR WITHOUT ANY LOGO

H.T.P.PART NUMBER
12MS5000-PG9-CUT-SH