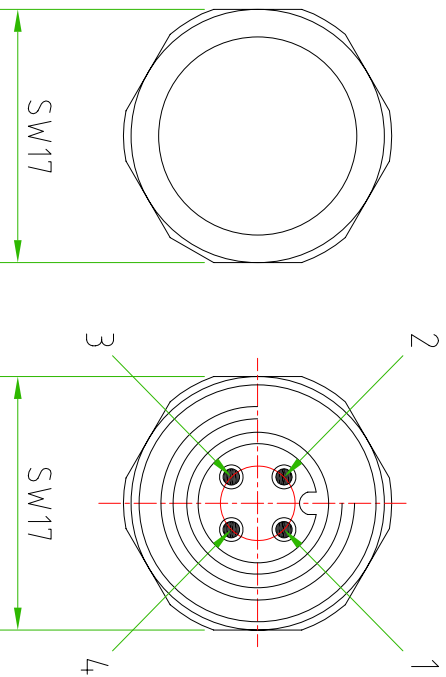
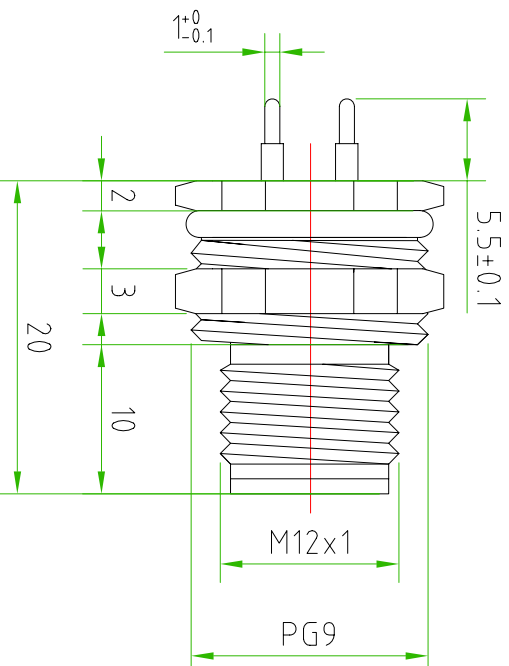


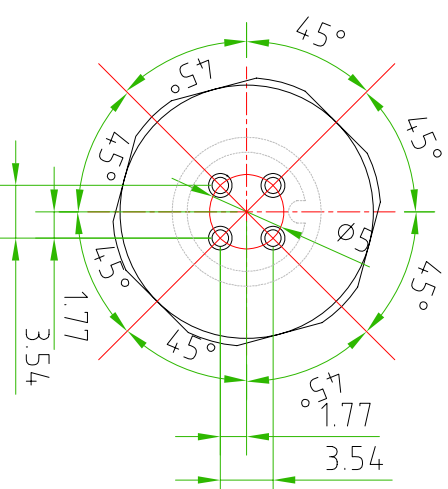
Frontal view



Lateral view



Back view



CONNECTOR FEATURES	
CONNECTOR TYPE	M12 TO PANEL
MOUNTING TYPE	BACK
CONTACT TYPE	MALE
NUMBER OF CONTACTS CONNECTED	n°4
HOUSING MATERIAL	METAL (CuZn/Ni)
THREAD	PG9
SWITCH FIXED NUT	SW17
CONTACT TYPE	SOLDERED FOR PCB
CONTACT LENGHT	5,5mm ±0.1

TOLLERANZE	±0.2	DISIGNATORE	DATA	SCALA	DISIGNO N.
UDM	ANGOLO	LORENZO CEMINO CONTROLLATO	12.11.09	2:1	
DESCRIZIONE		M12 MALE PANEL 4 POLES BACK MOUNTING PG9 FOR PCB		TR90	MATERIALE
		HTP HIGH TECH PRODUCTS			
		H.T.P.			
		12MS4000-PG9			