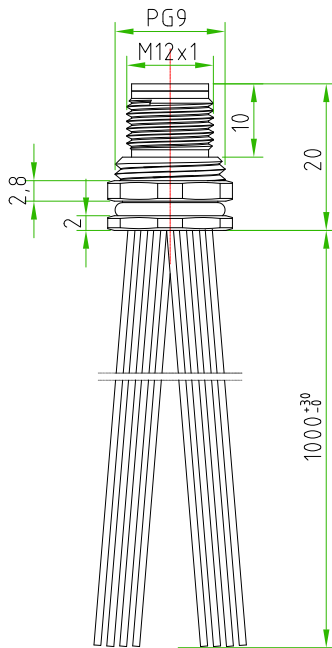
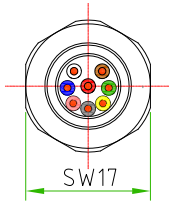


Rev.	Modify	Date	Signed	Approved

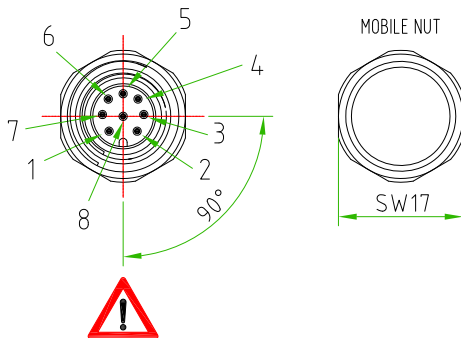
Rev.	Modify	Date	Signed	Approved

Rev.	Modify	Date	Signed	Approved

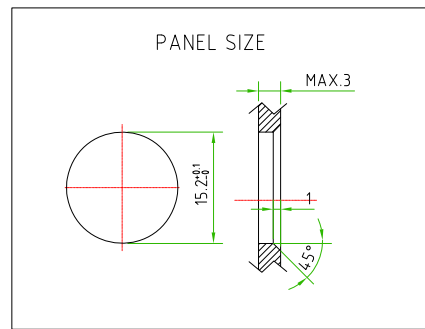
- WHITE ○ ———— ■ 1
- BROWN ○ ———— ■ 2
- GREEN ○ ———— ■ 3
- YELLOW ○ ———— ■ 4
- GREY ○ ———— ■ 5
- PINK ○ ———— ■ 6
- BLUE ○ ———— ■ 7
- RED ○ ———— ■ 8



CONNECTOR FEATURES	PRODUCT TYPE	M12 CIRCULAR CONNECTOR TO PANEL WITH WIRES.
	TYPE MOUNTING	BACK MOUNTING
	CONTACTS TYPE	MALE 8POLES
	NUMBER OF CONTACTS CONNECTED	N°8
	HOUSING MATERIAL	BRASS+NICKEL PLATED
	O-RING MATERIAL	NBR
	FIXING THREAD	PG9
	SIZE FIXED NUT(SW)	SW17
	SIZE MOBILE NUT(SW)	SW17
	PROTECTION CLASS	IP67
RATED VOLTAGE	30V AC/DC	
RATED CURRENT	2A	
CONNECTOR WITHOUT ANY LOGO		
WIRES FEATURES	NUMBER OF CONDUCTORS	N°8
	CONDUCTORS SECTION	0,25mm <sup>2</sup>
	CONDUCTORS INSULATION MATERIAL	PVC
	CONDUCTORS LENGHT	1000mm



PAY ATTENTION to the position of the polarization key towards the exagonal fixing nut.



**CUSTOMER APPROVAL**

SIGNATURE	DATE

**PLEASE SIGN AND RETURN**

Designer	CIMMINO L.	Date	2016-10-17	Tolerance	±0.3	Units:	mm	Series	M12	Drawing n.
Approved	MAZZOLA M.	Date	2016-10-17	Scale	1:1	Size:	A4	Customer code:		

**DESCRIPTION**  
 CIRCULAR CONNECTOR M12, MALE, TO PANEL, 8POLES, BACK MOUNTING, PG9 THREAD, WITH N°8 WIRES PVC 0,25mm<sup>2</sup> L=1m  
 CONNECTOR WITHOUT ANY LOGO

**H.T.P.PART NUMBER**

12MR8A1Z-PG9



A4

