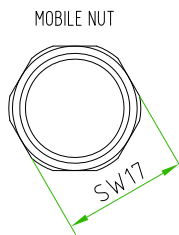
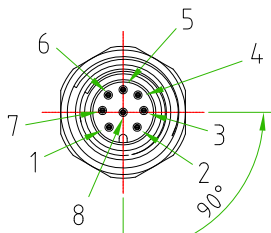
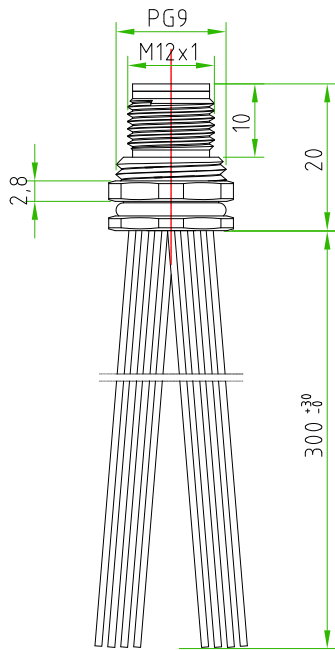
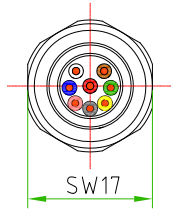


Rev.	Modify	Date	Signed	Approved

Rev.	Modify	Date	Signed	Approved

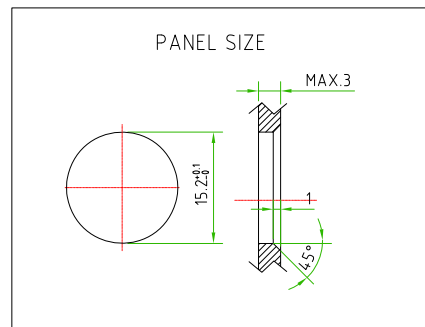
Rev.	Modify	Date	Signed	Approved

- WHITE ○ ———— ■ 1
- BROWN ○ ———— ■ 2
- GREEN ○ ———— ■ 3
- YELLOW ○ ———— ■ 4
- GREY ○ ———— ■ 5
- PINK ○ ———— ■ 6
- BLUE ○ ———— ■ 7
- RED ○ ———— ■ 8



PAY ATTENTION to the position of the polarization key towards the exagonal fixing nut.

CONNECTOR FEATURES	
PRODUCT TYPE	M12 CIRCULAR CONNECTOR TO PANEL WITH WIRES.
TYPE MOUNTING	BACK MOUNTING
CONTACTS TYPE	MALE 8POLES
NUMBER OF CONTACTS CONNECTED	N°8
HOUSING MATERIAL	BRASS+NICKEL PLATED
O-RING MATERIAL	NBR
FIXING THREAD	PG9
SIZE FIXED NUT(SW)	SW17
SIZE MOBILE NUT(SW)	SW17
PROTECTION CLASS	IP67
RATED VOLTAGE	30V AC/DC
RATED CURRENT	2A
CONNECTOR WITHOUT ANY LOGO	
WIRES FEATURES	
NUMBER OF CONDUCTORS	N°8
CONDUCTORS SECTION	0,25mm ²
CONDUCTORS INSULATION MATERIAL	PVC
CONDUCTORS LENGTH	300mm



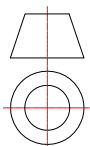
CUSTOMER APPROVAL

SIGNATURE DATE

PLEASE SIGN AND RETURN

A4

Designer	CIMMINO L.	Date	2019-12-13	Tolerance	±0.3	Units:	mm	Series	M12	Drawing n. 1-1
Approved	SUGLIANI R.	Date	2019-12-13	Scale	1:1	Size:	A4	Customer code:		



DESCRIPTION
CIRCULAR CONNECTOR M12, MALE, TO PANEL, 8POLES, BACK MOUNTING, PG9 THREAD, WITH N°8 WIRES PVC 0,25mm² L=300mm
CONNECTOR WITHOUT ANY LOGO

H.T.P.PART NUMBER

12MR8A0C-PG9