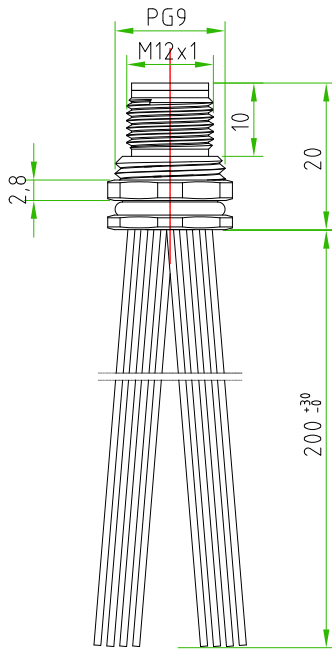
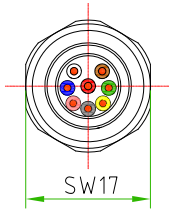


Rev.	Modify	Date	Signed	Approved

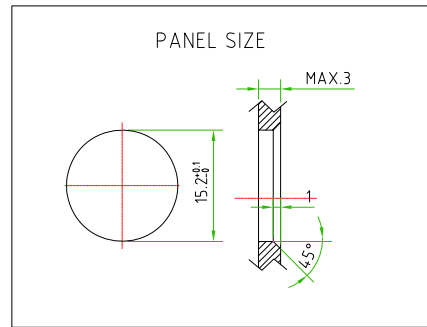
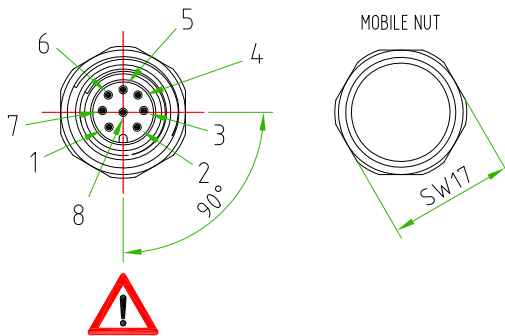
Rev.	Modify	Date	Signed	Approved


Rev.	Modify	Date	Signed	Approved

- WHITE ○ ———— ■ 1
- BROWN ○ ———— ■ 2
- GREEN ○ ———— ■ 3
- YELLOW ○ ———— ■ 4
- GREY ○ ———— ■ 5
- PINK ○ ———— ■ 6
- BLUE ○ ———— ■ 7
- RED ○ ———— ■ 8



CONNECTOR FEATURES	PRODUCT TYPE	M12 CIRCULAR CONNECTOR TO PANEL WITH WIRES.
	TYPE MOUNTING	BACK MOUNTING
	CONTACTS TYPE	MALE 8POLES
	NUMBER OF CONTACTS CONNECTED	N°8
	HOUSING MATERIAL	BRASS+NICKEL PLATED
	O-RING MATERIAL	NBR
	FIXING THREAD	PG9
	SIZE FIXED NUT(SW)	SW17
	SIZE MOBILE NUT(SW)	SW17
	PROTECTION CLASS	IP67
WIRES FEATURES	RATED VOLTAGE	30V AC/DC
	RATED CURRENT	2A
	CONNECTOR WITHOUT ANY LOGO	
	NUMBER OF CONDUCTORS	N°8
CONDUCTORS SECTION	0,25mm ²	
CONDUCTORS INSULATION MATERIAL	PVC	
CONDUCTORS LENGTH	200mm	



 PAY ATTENTION to the position of the polarization key towards the exagonal fixing nut.

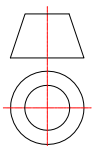
CUSTOMER APPROVAL

<i>SIGNATURE</i>	<i>DATE</i>

PLEASE SIGN AND RETURN

A4

Designer	CIMMINO L.	Date	2018-02-02	Tolerance	±0.3	Units:	mm	Series	M12	Drawing n.
Approved	SUGLIANI R.	Date	2018-02-02	Scale	1:1	Size:	A4	Customer code:		



DESCRIPTION
 CIRCULAR CONNECTOR M12, MALE, TO PANEL, 8POLES, BACK MOUNTING, PG9 THREAD, WITH N°8 WIRES PVC 0,25mm² L=200mm
 CONNECTOR WITHOUT ANY LOGO

H.T.P.PART NUMBER

12MR8A0B-PG9