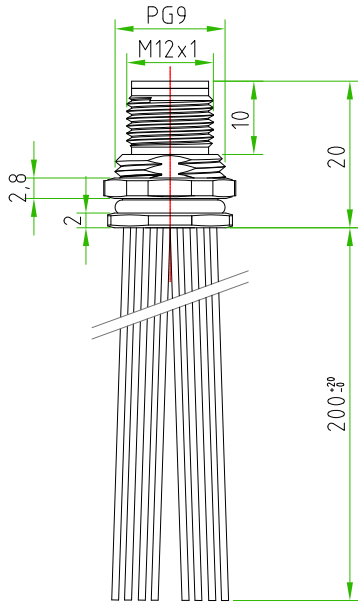
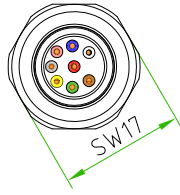
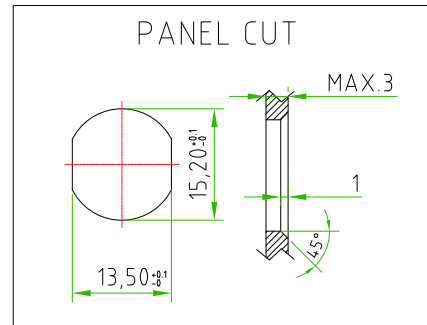
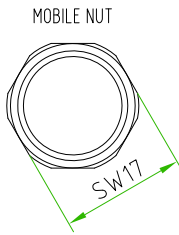
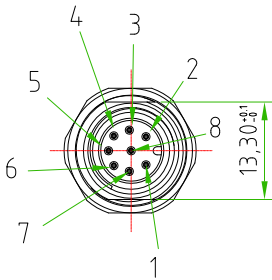


- WHITE ○ ————— ■ 1
- BROWN ○ ————— ■ 2
- GREEN ○ ————— ■ 3
- YELLOW ○ ————— ■ 4
- GREY ○ ————— ■ 5
- PINK ○ ————— ■ 6
- BLUE ○ ————— ■ 7
- RED ○ ————— ■ 8



CONNECTOR FEATURES	
PRODUCT TYPE	M12 CIRCULAR CONNECTOR TO PANEL WITH WIRES
TYPE MOUNTING	BACK MOUNTING
CONTACTS TYPE	MALE 8POLES
NUMBER OF CONTACTS CONNECTED	N°8
HOUSING MATERIAL	BRASS+NICKEL PLATED
O-RING MATERIAL	NBR
FIXING THREAD	PG9
SIZE CUT	13,30mm (+0,1/-0)
SIZE FIXED NUT(SW)	SW17
SIZE MOBILE NUT(SW)	SW17
PROTECTION CLASS	IP67
RATED VOLTAGE	30V AC/DC
RATED CURRENT	2A
CONNECTOR WITHOUT ANY LOGO	
WIRES FEATURES	
NUMBER OF CONDUCTORS	N°8
CONDUCTORS SECTION	0,25mm ²
CONDUCTORS INSULATION MATERIAL	PVC
CONDUCTORS LENGHT	200mm



PAY ATTENTION to the position of the polarization key towards the CUT and the exagonal fixed nut. The polarization key must be 180° in reference to the CUT of the thread

CUSTOMER APPROVAL

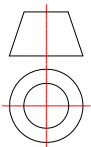
SIGNATURE

DATE

PLEASE SIGN AND RETURN

A4

Designer	SUGLIANI R.	Date	2016-06-30	Tolerance	±0.3	Units:	mm	Series	M12	Drawing n.	1-1
Approved	CIMMINO L.	Date	2016-06-30	Scale	1:1	Size:	A4	Customer code:			



DESCRIPTION

CIRCULAR CONNECTOR M12, MALE, TO PANEL, 8POLES, BACK MOUNTING, PG9 THREAD, COMPLETE WITH CUT (POLARIZATION KEY OF THE CONNECTOR MUST BE POSITIONED 180° TOWARDS THE CUT), WITH N°8 WIRES PVC 0,25mm² L=200mm. CONNECTOR WITHOUT ANY LOGO

H.T.P. PART NUMBER

12MR8A0B-PG9-CUT-180