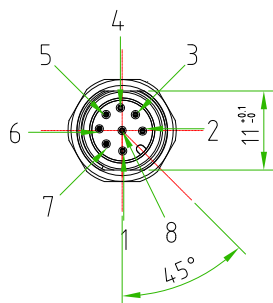
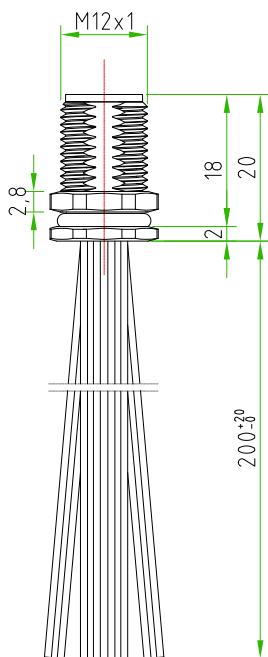
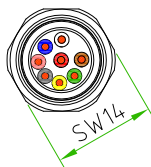
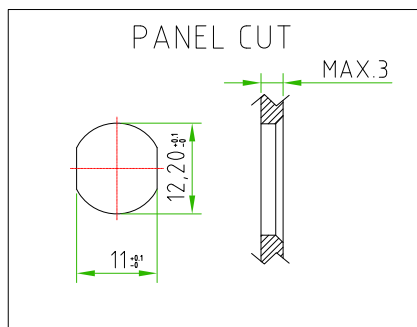
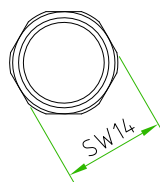


- WHITE ○ ———— ■ 1
- BROWN ○ ———— ■ 2
- GREEN ○ ———— ■ 3
- YELLOW ○ ———— ■ 4
- GREY ○ ———— ■ 5
- PINK ○ ———— ■ 6
- BLUE ○ ———— ■ 7
- RED ○ ———— ■ 8



MOBILE NUT



CONNECTOR FEATURES	
PRODUCT TYPE	M12 CIRCULAR CONNECTOR TO PANEL WITH WIRES
TYPE MOUNTING	BACK MOUNTING
CONTACTS TYPE	MALE 8POLES
NUMBER OF CONTACTS CONNECTED	N°8
HOUSING MATERIAL	BRASS+NICKEL PLATED
O-RING MATERIAL	NBR
FIXING THREAD	M12X1
SIZE CUT	11mm (+0,1/-0)
SIZE FIXED NUT(SW)	SW14
SIZE MOBILE NUT(SW)	SW14
PROTECTION CLASS	IP67
RATED VOLTAGE	30V AC/DC
RATED CURRENT	2A
CONNECTOR WITHOUT ANY LOGO	
WIRES FEATURES	
NUMBER OF CONDUCTORS	N°8
CONDUCTORS SECTION	0,25mm <sup>2</sup>
CONDUCTORS INSULATION MATERIAL	PVC
CONDUCTORS LENGHT	200mm



PAY ATTENTION to the position of the polarization key towards the CUT and the exagonal fixing nut.

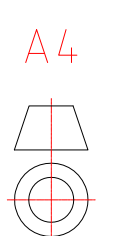
CUSTOMER APPROVAL

SIGNATURE

DATE

PLEASE SIGN AND RETURN

Rev.	Modify	Date	Signed	Approved



Designer	SUGLIANI R.	Date	2019-06-18	Tolerance	±0.3	Units:	mm	Series	M12	Drawing n.
Approved	CIMMINO L.	Date	2019-06-18	Scale	1:1	Size:	A4	Customer code:		

	DESCRIPTION	H.T.P.PART NUMBER
	CIRCULAR CONNECTOR M12, MALE, TO PANEL, 8POLES, BACK MOUNTING, M12X1 THREAD, COMPLETE WITH CUT, WITH N°8 WIRES PVC 0,25mm <sup>2</sup> L=200mm. CONNECTOR WITHOUT ANY LOGO	12MR8A0B-M12X1-CUT