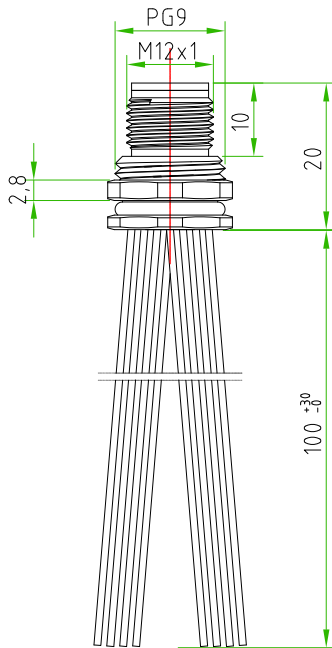
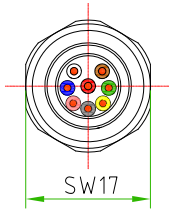


Rev.	Modify	Date	Signed	Approved

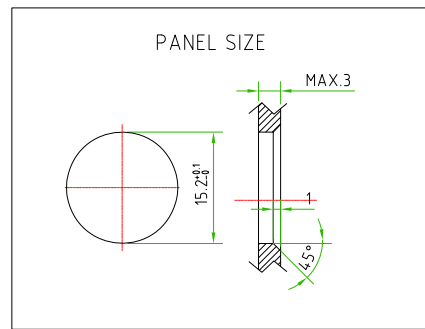
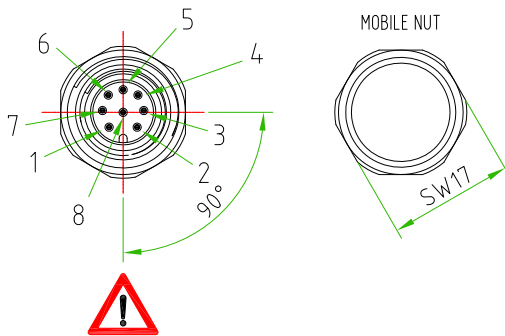
Rev.	Modify	Date	Signed	Approved


Rev.	Modify	Date	Signed	Approved

- WHITE ○ ——— 1
- BROWN ○ ——— 2
- GREEN ○ ——— 3
- YELLOW ○ ——— 4
- GREY ○ ——— 5
- PINK ○ ——— 6
- BLUE ○ ——— 7
- RED ○ ——— 8



CONNECTOR FEATURES	PRODUCT TYPE	M12 CIRCULAR CONNECTOR TO PANEL WITH WIRES.
	TYPE MOUNTING	BACK MOUNTING
	CONTACTS TYPE	MALE 8POLES
	NUMBER OF CONTACTS CONNECTED	N°8
	HOUSING MATERIAL	BRASS+NICKEL PLATED
	O-RING MATERIAL	NBR
	FIXING THREAD	PG9
	SIZE FIXED NUT(SW)	SW17
	SIZE MOBILE NUT(SW)	SW17
	PROTECTION CLASS	IP67
RATED VOLTAGE	30V AC/DC	
RATED CURRENT	2A	
CONNECTOR WITHOUT ANY LOGO		
WIRES FEATURES	NUMBER OF CONDUCTORS	N°8
	CONDUCTORS SECTION	0,25mm ²
	CONDUCTORS INSULATION MATERIAL	PVC
	CONDUCTORS LENGHT	100mm



 PAY ATTENTION to the position of the polarization key towards the exagonal fixing nut.

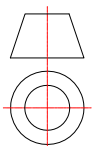
CUSTOMER APPROVAL

SIGNATURE DATE

PLEASE SIGN AND RETURN

A4

Designer	SUGLIANI R.	Date	2018-01-26	Tolerance	±0.3	Units:	mm	Series	M12	Drawing n.
Approved	CIMMINO L.	Date	2018-01-26	Scale	1:1	Size:	A4	Customer code:		



DESCRIPTION
CIRCULAR CONNECTOR M12, MALE, TO PANEL, 8POLES, BACK MOUNTING, PG9 THREAD, WITH N°8 WIRES PVC 0,25mm² L=100mm
CONNECTOR WITHOUT ANY LOGO

H.T.P.PART NUMBER

12MR8A0A-PG9