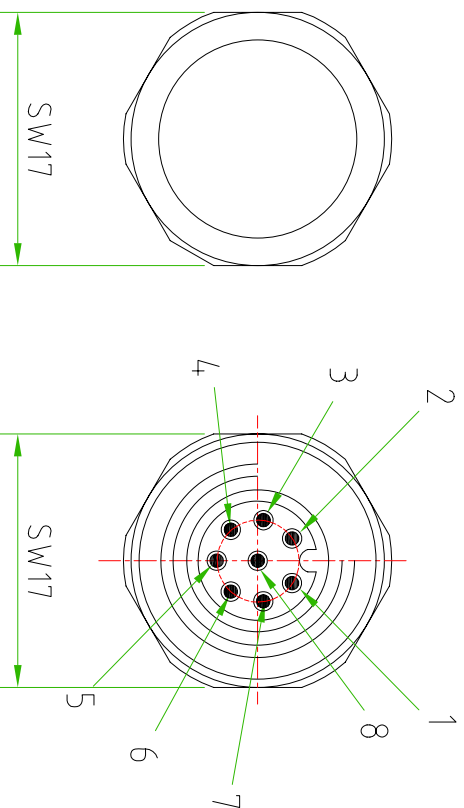
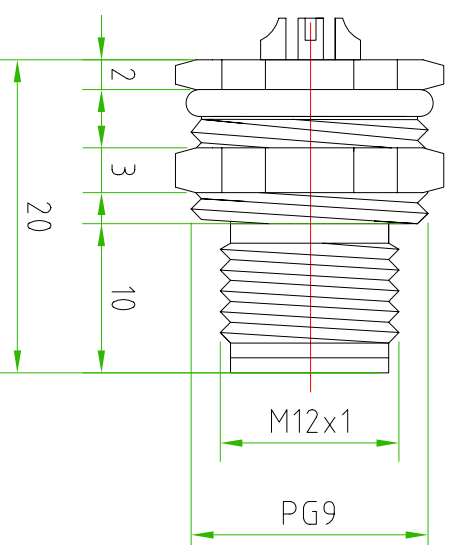


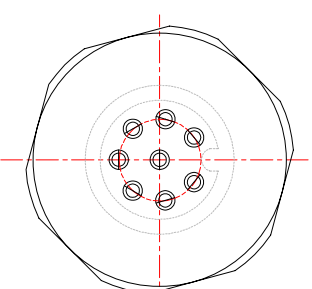
Frontal view



Lateral view



Back view



CONNECTOR FEATURES	
CONNECTOR TYPE	M12 TO PANEL
MOUNTING TYPE	BACK
CONTACT TYPE	MALE
NUMBER OF CONTACTS CONNECTED	n°8
HOUSING MATERIAL	METAL (CuZn/Ni)
THREAD	PG9
SWITCH FIXED NUT	SW17
CONTACT TYPE	SOLDERED

TOLLERANZE	±0.2	DISIGNATORE	DATA	SCALA	DISIGNO N.
UDM	ANGOLO	LORENZO CHINNO CONTROLLATO	21.03.11	2:1	
DESCRIZIONE		M12 MALE PANEL 8 POLES BACK MOUNTING PG9 WITH SOLDERED PINS		TR90	M12
HTP HIGH TECH PRODUCTS					H.T.P. 12MR8000-PG9
					MATERIALE