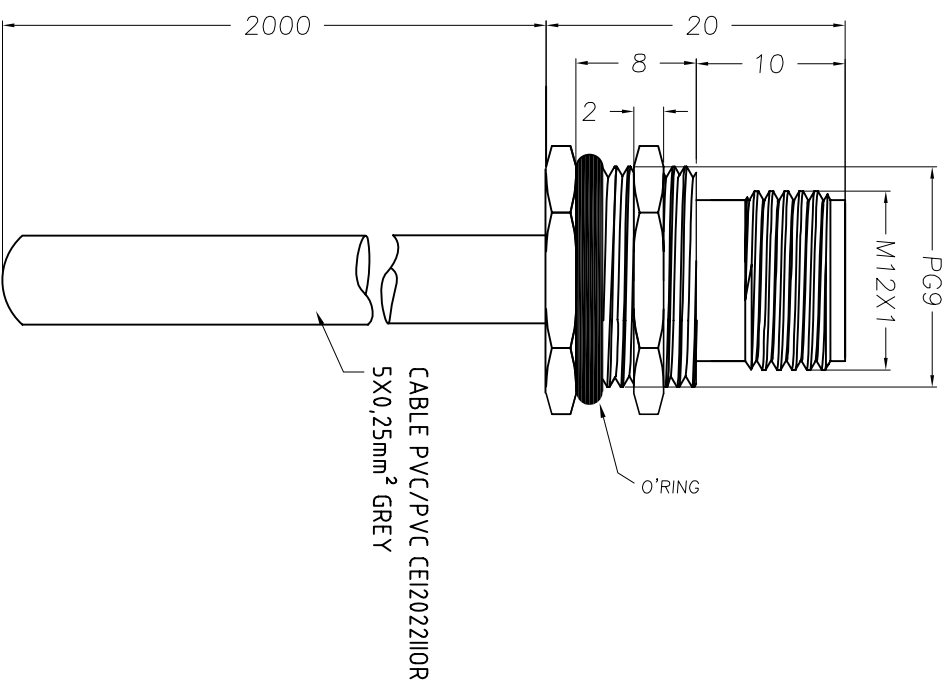
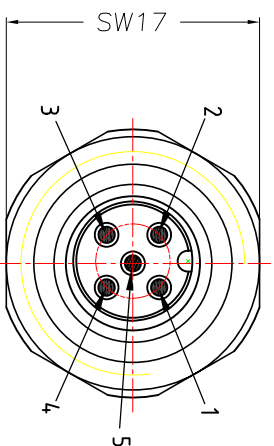


- BROWN — 1
- WHITE — 2
- BLUE — 3
- BLACK — 4
- GREY — 5

FRONTAL VIEW



CONNECTOR FEATURES	
CONNECTOR TYPE	M12 TO PANEL
MOUNTING TYPE	BACK
CONTACT TYPE	MALE
NUMBER OF CONTACTS CONNECTED	n°5
HOUSING MATERIAL	METAL (CuZn/Ni)
THREAD	PG9
SWITCH FIXED NUT	SW17
CABLE MATERIAL	PVC
COATING COLOUR	GREY
CONDUCTOR MATERIAL	PVC
CONDUCTOR SECTION	0.25mm ²
n°OF CONDUCTORS	5
CABLE LENGHT	2000mm

TOLERANCE	ORIGINATOR	DATA	SCALE	DESIGN N.
TUM	LORENZO CIMMINO	25.03.09	2:1	
ANGOLO	CONTRULLIO			
DESCRIZIONE		TP0		
M12 MALE PANEL, 5 POLES BACK MOUNTING, PG9, WITH CABLE		M12		
PVC/PVC, CE120221I0R, 5X0,25mm ² , L=2m				
HTP HIGH TECH PRODUCTS		COMP		
MATERIAL				

HTP HIGH TECH PRODUCTS



H.T.P.

12MR5N2Z-PG9-C0