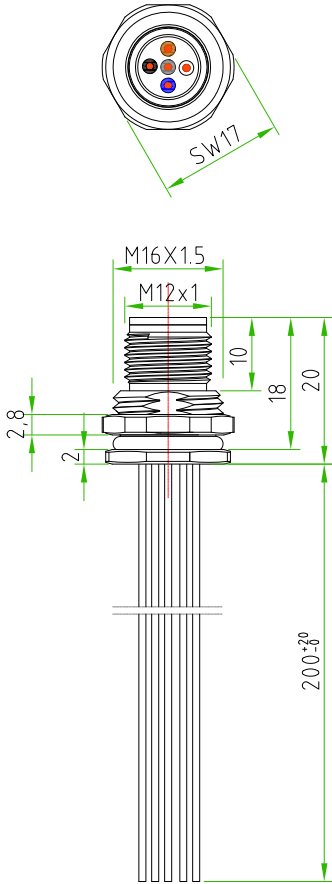


| | | | | |
|------|--------|------|--------|----------|
| Rev. | Modify | Date | Signed | Approved |
| | | | | |

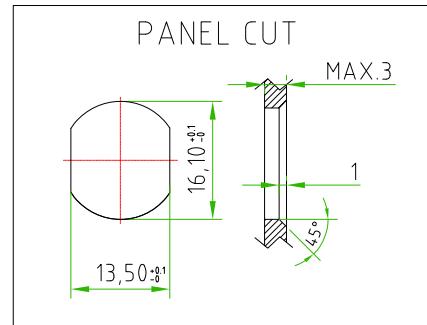
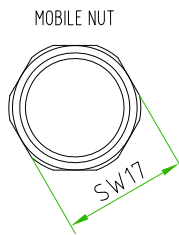
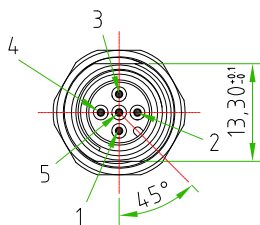
| | | | | |
|------|--------|------|--------|----------|
| Rev. | Modify | Date | Signed | Approved |
| | | | | |

| | | | | |
|------|--------|------|--------|----------|
| Rev. | Modify | Date | Signed | Approved |
| | | | | |

- BROWN ○ ———— ■ 1
- WHITE ○ ———— ■ 2
- BLUE ○ ———— ■ 3
- BLACK ○ ———— ■ 4
- GREY ○ ———— ■ 5



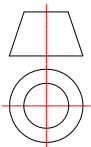
| CONNECTOR FEATURES | |
|--------------------------------|--|
| PRODUCT TYPE | M12 CIRCULAR CONNECTOR TO PANEL WITH WIRES |
| TYPE MOUNTING | BACK MOUNTING |
| CONTACTS TYPE | MALE 5POLES |
| NUMBER OF CONTACTS CONNECTED | N°5 |
| HOUSING MATERIAL | BRASS+NICKEL PLATED |
| O-RING MATERIAL | NBR |
| FIXING THREAD | M16X1.5 |
| SIZE CUT | 13,30mm (+0,1/-0) |
| SIZE FIXED NUT(SW) | SW17 |
| SIZE MOBILE NUT(SW) | SW17 |
| PROTECTION CLASS | IP67 |
| RATED VOLTAGE | 60V AC/DC |
| RATED CURRENT | 4A |
| CONNECTOR WITHOUT ANY LOGO | |
| WIRES FEATURES | |
| NUMBER OF CONDUCTORS | N°5 |
| CONDUCTORS SECTION | 0,34mm ² |
| CONDUCTORS INSULATION MATERIAL | PVC |
| CONDUCTORS LENGHT | 200mm |



PAY ATTENTION to the position of the polarization key towards the CUT and the exagonal fixing nut.

| | |
|------------------------|------|
| CUSTOMER APPROVAL | |
| SIGNATURE | DATE |
| | |
| PLEASE SIGN AND RETURN | |

A4



| | | | | | | | | | | |
|----------|-------------|------|------------|-----------|------|--------|----|----------------|-----|-------------------|
| Designer | CIMMINO L. | Date | 2019-01-28 | Tolerance | ±0.3 | Units: | mm | Series | M12 | Drawing n. 1-1 |
| Approved | SUGLIANI R. | Date | 2019-01-28 | Scale | 1:1 | Size: | A4 | Customer code: | | |



DESCRIPTION

CIRCULAR CONNECTOR M12, MALE, TO PANEL, 5POLES, BACK MOUNTING, M16X1.5 THREAD, COMPLETE WITH CUT, WITH N°5 WIRES PVC 0,34mm² L=200mm. CONNECTOR WITHOUT ANY LOGO

H.T.P.PART NUMBER

12MR5B0B-M16-CUT