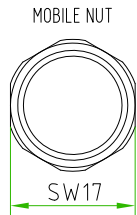
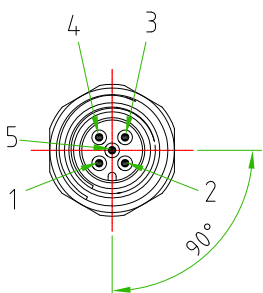
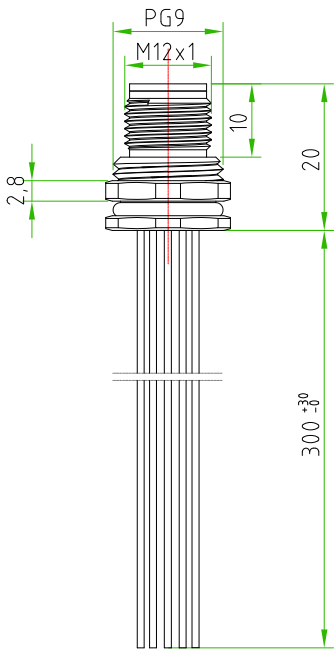
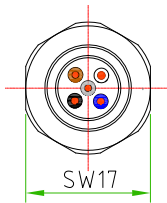


Rev.	Modify	Date	Signed	Approved

Rev.	Modify	Date	Signed	Approved

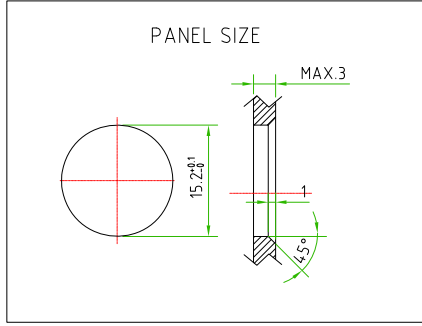
Rev.	Modify	Date	Signed	Approved



PAY ATTENTION to the position of the polarization key towards the exagonal fixing nut.

- BROWN ○ ———— ■ 1
- WHITE ○ ———— ■ 2
- BLUE ○ ———— ■ 3
- BLACK ○ ———— ■ 4
- GREY ○ ———— ■ 5

CONNECTOR FEATURES	PRODUCT TYPE	M12 CIRCULAR CONNECTOR TO PANEL WITH WIRES.
	TYPE MOUNTING	BACK MOUNTING
	CONTACTS TYPE	MALE 5POLES
	NUMBER OF CONTACTS CONNECTED	N°5
	HOUSING MATERIAL	BRASS+NICKEL PLATED
	O-RING MATERIAL	NBR
	FIXING THREAD	PG9
	SIZE FIXED NUT(SW)	SW17
	SIZE MOBILE NUT(SW)	SW17
	PROTECTION CLASS	IP67
	RATED VOLTAGE	60V AC/DC
	RATED CURRENT	4A
CONNECTOR WITHOUT ANY LOGO		
WIRES FEATURES	NUMBER OF CONDUCTORS	N°5
	CONDUCTORS SECTION	0,25mm <sup>2</sup>
	CONDUCTORS INSULATION MATERIAL	PVC
	CONDUCTORS LENGTH	300mm



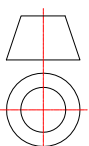
*CUSTOMER APPROVAL*

<i>SIGNATURE</i>	<i>DATE</i>

*PLEASE SIGN AND RETURN*

A4

Designer	CIMMINO L.	Date	2019-12-13	Tolerance	±0.3	Units:	mm	Series	M12	Drawing n.
Approved	SUGLIANI R.	Date	2019-12-13	Scale	1:1	Size:	A4	Customer code:		



**DESCRIPTION**  
 CIRCULAR CONNECTOR M12, MALE, TO PANEL, 5POLES, BACK MOUNTING, PG9 THREAD, WITH N°4 WIRES PVC 0,25mm<sup>2</sup> L=300mm  
 CONNECTOR WITHOUT ANY LOGO

**H.T.P.PART NUMBER**  
 12MR5A0C-PG9