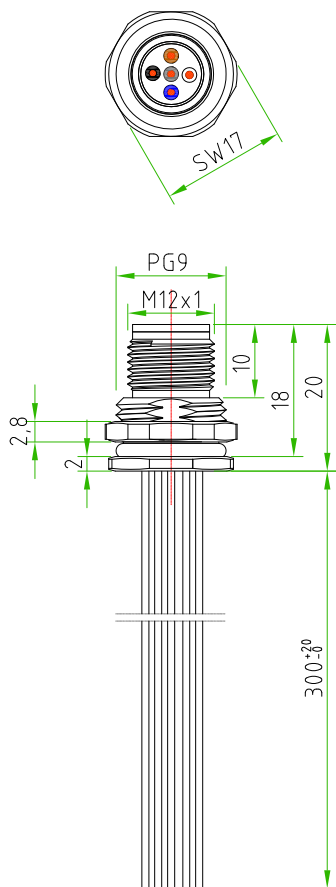


Rev.	Modify	Date	Signed	Approved

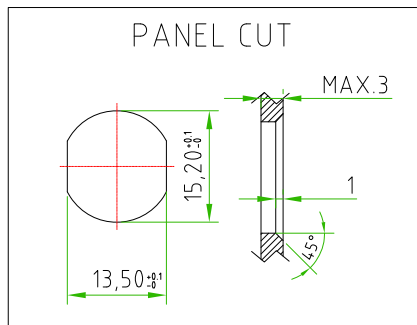
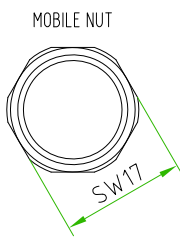
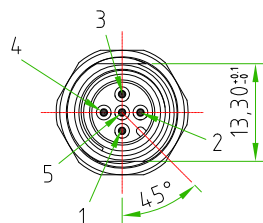
Rev.	Modify	Date	Signed	Approved

Rev.	Modify	Date	Signed	Approved

- BROWN ○ ————— ■ 1
- WHITE ○ ————— ■ 2
- BLUE ○ ————— ■ 3
- BLACK ○ ————— ■ 4
- GREY ○ ————— ■ 5



CONNECTOR FEATURES	
PRODUCT TYPE	M12 CIRCULAR CONNECTOR TO PANEL WITH WIRES
TYPE MOUNTING	BACK MOUNTING
CONTACTS TYPE	MALE 5POLES
NUMBER OF CONTACTS CONNECTED	N°5
HOUSING MATERIAL	BRASS+NICKEL PLATED
O-RING MATERIAL	NBR
FIXING THREAD	PG9
SIZE CUT	13,30mm (+0,1/-0)
SIZE FIXED NUT(SW)	SW17
SIZE MOBILE NUT(SW)	SW17
PROTECTION CLASS	IP67
RATED VOLTAGE	60V AC/DC
RATED CURRENT	4A
CONNECTOR WITHOUT ANY LOGO	
WIRES FEATURES	
NUMBER OF CONDUCTORS	N°5
CONDUCTORS SECTION	0,25mm ²
CONDUCTORS INSULATION MATERIAL	PVC
CONDUCTORS LENGTH	300mm

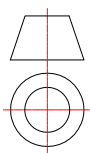


⚠
PAY ATTENTION to the position of the polarization key towards the CUT and the exagonal fixing nut.

CUSTOMER APPROVAL	
SIGNATURE	DATE
PLEASE SIGN AND RETURN	

Designer	CIMMINO L.	Date	2019-02-22	Tolerance	±0.3	Units:	mm	Series	M12	Drawing n.
Approved	SUGLIANI R.	Date	2019-02-22	Scale	1:1	Size:	A4	Customer code:		

A4



DESCRIPTION

CIRCULAR CONNECTOR M12, MALE, TO PANEL, 5POLES, BACK MOUNTING, PG9 THREAD, COMPLETE WITH CUT WITH N°5 WIRES PVC 0,25mm² L=300mm. CONNECTOR WITHOUT ANY LOGO

H.T.P.PART NUMBER

12MR5A0C-PG9-CUT