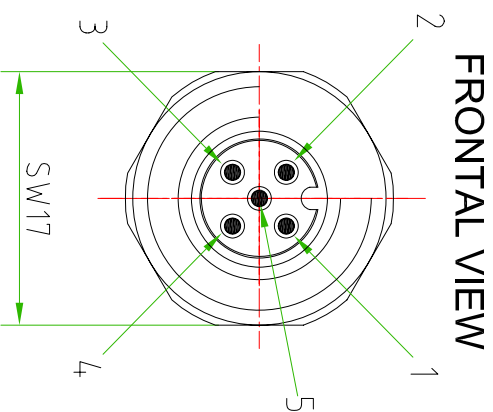
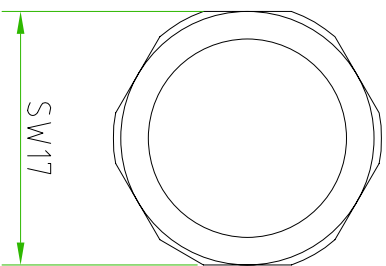
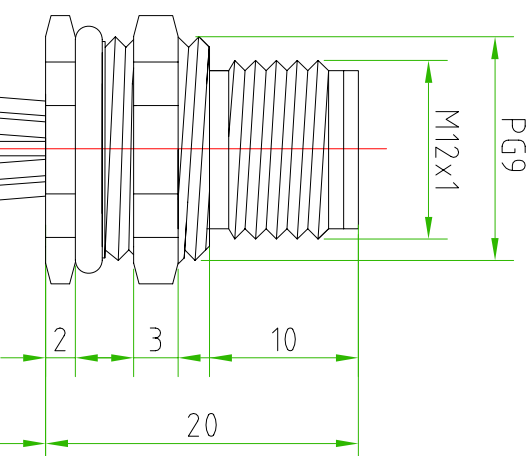


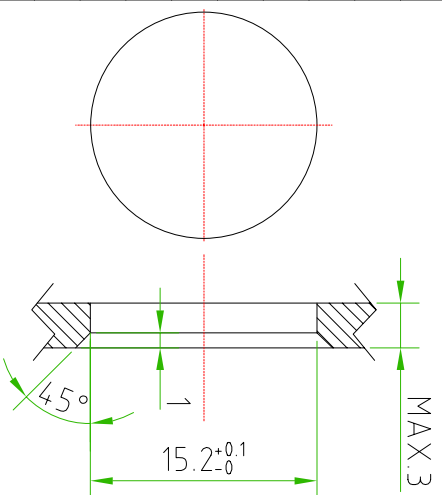
- BROWN ○ — 1
- WHITE ○ — 2
- BLUE ○ — 3
- BLACK ○ — 4
- GREY ○ — 5



FRONTAL VIEW



PANEL SIZE



CONNECTOR FEATURES	
CONNECTOR TYPE	M12 TO PANEL
MOUNTING TYPE	BACK
CONTACT TYPE	MALE
NUMBER OF CONTACTS CONNECTED	n°5
HOUSING MATERIAL	Brass+nickel plated (CuZnNi)
FIXING THREAD	PG9
SWITCH FIXED NUT	SW17
CONDUCTOR MATERIAL	PVC
CONDUCTOR LENGHT	200mm
CONDUCTOR SECTION	0.25mm <sup>2</sup>
n°OF CONDUCTORS	5
THERMO REDUCING TUBE	NO
RATED VOLTAGE	60V AC/DC
RATED CURRENT	4A

TOLERANZE	DISGIATORE	DATA	SCALA	DESIGNA.
UDM	+0.2 ANGOLO CONTRULLATO	27.08.12	2:1	
DESCRIZIONE		M12 MALE PANEL 5 POLES BACK MOUNTING PG9 WITH		TIPO
N°5 WIRES PVC 0,25mm <sup>2</sup> L=200mm		M12		MATERIALE
HTP		H.T.P.		CONF.
HIGH TECH PRODUCTS		12MR5A0B-PG9		