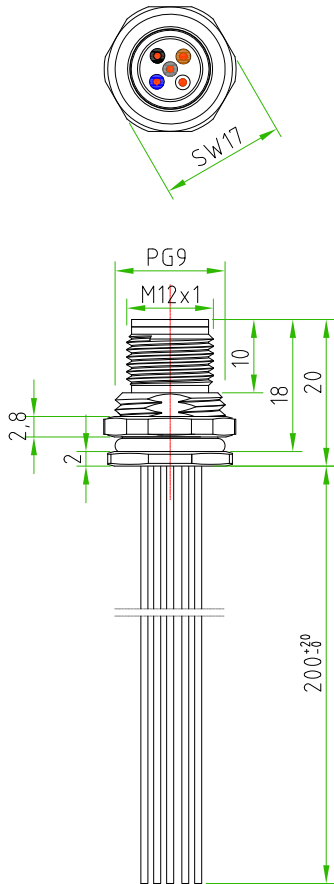


Rev.				
Modify				
Date				
Signed				
Approved				

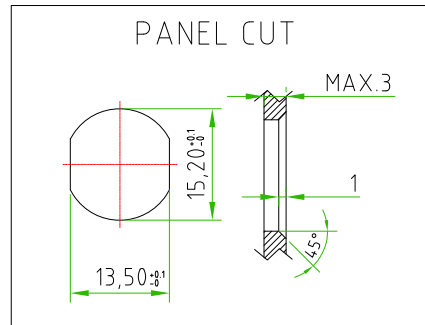
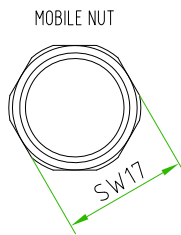
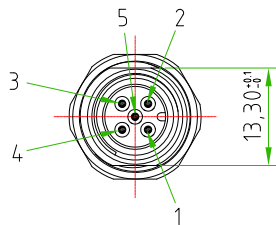
Rev.				
Modify				
Date				
Signed				
Approved				

Rev.				
Modify				
Date				
Signed				
Approved				

- BROWN ○ ————— ■ 1
- WHITE ○ ————— ■ 2
- BLUE ○ ————— ■ 3
- BLACK ○ ————— ■ 4
- GREY ○ ————— ■ 5



CONNECTOR FEATURES	PRODUCT TYPE	M12 CIRCULAR CONNECTOR TO PANEL WITH WIRES
	TYPE MOUNTING	BACK MOUNTING
	CONTACTS TYPE	MALE 5POLES
	NUMBER OF CONTACTS CONNECTED	N°5
	HOUSING MATERIAL	BRASS+NICKEL PLATED
	O-RING MATERIAL	NBR (SHORE-A 70±5)
	FIXING THREAD	PG9
	SIZE CUT	13,30mm (+0,1/-0)
	SIZE FIXED NUT(SW)	SW17
	SIZE MOBILE NUT(SW)	SW17
	PROTECTION CLASS	IP67
	RATED VOLTAGE	60V AC/DC
RATED CURRENT	4A	
CONNECTOR WITHOUT ANY LOGO		
WIRES FEATURES	NUMBER OF CONDUCTORS	N°5
	CONDUCTORS SECTION	0,25mm ²
	CONDUCTORS INSULATION MATERIAL	PVC
	CONDUCTORS LENGHT	200mm



PAY ATTENTION to the position of the polarization key towards the CUT and the exagonal fixed nut.
The polarization key must be 180° in reference to the CUT of the thread

CUSTOMER APPROVAL

SIGNATURE

DATE

PLEASE SIGN AND RETURN

Designer	CIMMINO L.	Date	2016-05-30	Tolerance	±0.3	Units:	mm	Series	M12	Drawing n. 1-1
Approved	MAZZOLA M.	Date	2016-05-30	Scale	1:1	Size:	A4	Customer code:		

DESCRIPTION

CIRCULAR CONNECTOR M12, MALE, TO PANEL, 5POLES, BACK MOUNTING, PG9 THREAD, COMPLETE WITH CUT (POLARIZATION KEY OF THE CONNECTOR MUST BE POSITIONED 180° TOWARDS THE CUT), WITH N°5 WIRES PVC 0,25mm² L=200mm. CONNECTOR WITHOUT ANY LOGO

H.T.P. PART NUMBER

12MR5A0B-PG9-CUT-180



A4

