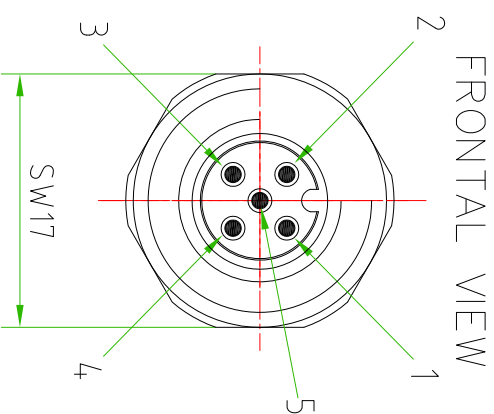
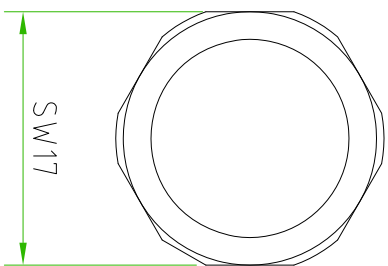
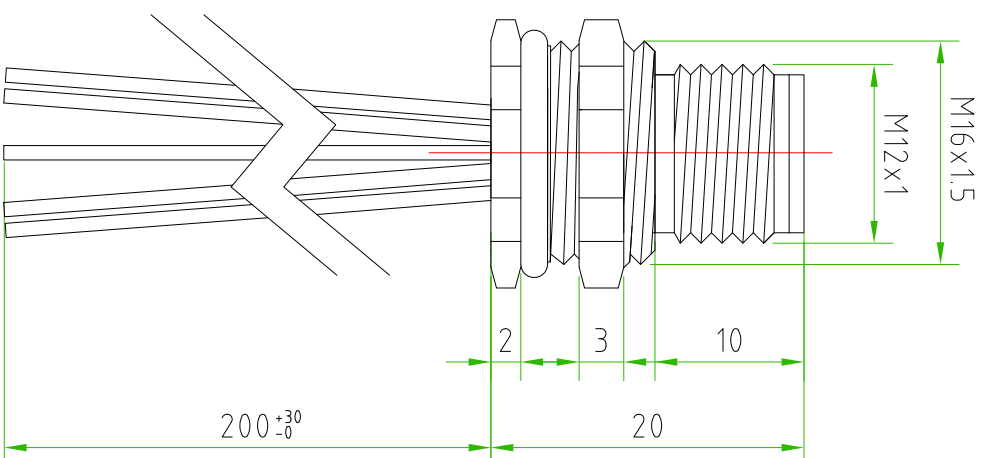


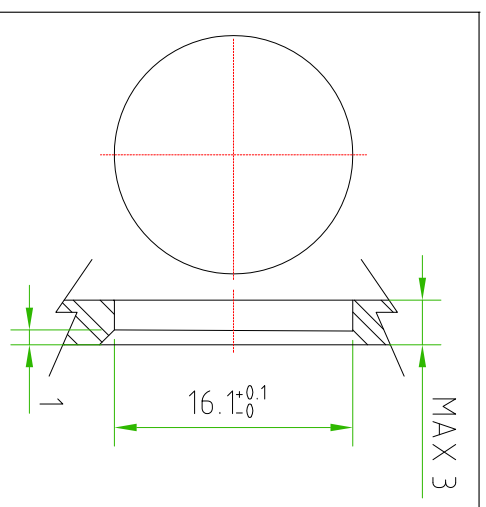
- BROWN ○ — 1
- WHITE ○ — 2
- BLUE ○ — 3
- BLACK ○ — 4
- GREY ○ — 5



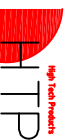
FRONTAL VIEW



PANEL SIZE



CONNECTOR FEATURES	
CONNECTOR TYPE	M12 TO PANEL
MOUNTING TYPE	BACK
CONTACT TYPE	MALE
NUMBER OF CONTACTS CONNECTED	n°5
HOUSING MATERIAL	Brass+nickel plated (CuZnNi)
FIXING THREAD	M16X15
SWITCH FIXED NUT	SW17
CONDUCTOR MATERIAL	PVC
CONDUCTOR LENGHT	200mm
CONDUCTOR SECTION	0.25mm <sup>2</sup>
n°OF CONDUCTORS	5
THERMO REDUCING TUBE	NO
RATED VOLTAGE	60V AC/DC
RATED CURRENT	4A

TOLLERANZE	±0.2	DISEGNATORE	DATA <th>SCALE</th> <td>2:1</td> <th>DISEGNO N.</th> <td></td>	SCALE	2:1	DISEGNO N.	
UDM	ANGOLO	LIBERAZIONE CONTROLLO	10.02.10				
DESCRIZIONE		M12 MALE PANEL 5 POLES BACK MOUNTING		TRP	M12	MATERIALE	
		M16X15, WITH N°5 SOLDERED WIRES PVC 0.25mm <sup>2</sup> , L=200mm					
 <b>H.T.P.</b> HIGH TECH PRODUCTS			<b>12MR5A0B-M16</b>				