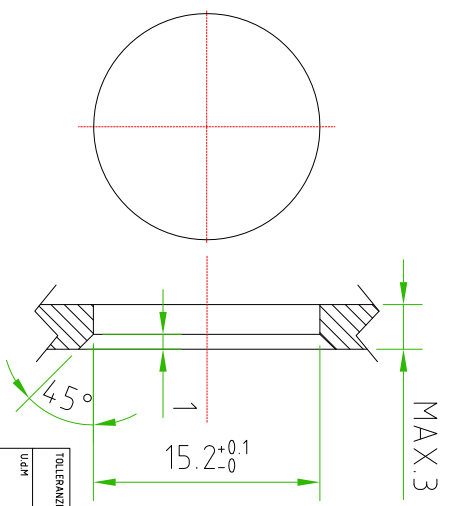
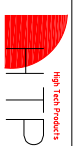


PANEL SIZE



| CONNECTOR FEATURES | |
|------------------------------|-------------------------|
| CONNECTOR TYPE | M12 TO PANEL |
| MOUNTING TYPE | BACK |
| CONTACT TYPE | MALE |
| NUMBER OF CONTACTS CONNECTED | n°5 |
| HOUSING MATERIAL | STAINLESS STEEL AISI304 |
| FIXING THREAD | PG9 |
| SWITCH FIXED NUT | SW17 |
| CONTACT TYPE | SOLDERED CONTACTS |
| RATED VOLTAGE | 60V AC/DC |
| RATED CURRENT | 2A |
| CONNECTOR WITHOUT H.T.P.LOGO | |

| TOLLERANZE | ±0.2 | DISIGNATORE | DATA | SCALE | DISIGNO N. |
|--|---------|-------------------------------|----------|-------------------|------------|
| UDM | ANGOLID | LORENZO CHINNO CONTROLLATO | 14.07.15 | 2:1 | |
| DESCRIZIONE M12 MALE PANEL 5 POLES BACK MOUNTING PG9, STAINLESS STEEL HOUSING, WITH SOLDERED CONTACTS | | | TR99 | | MATERIALE |
| | | | | | M12 |
|  H.T.P. HIGH TECH PRODUCTS | | | CODE | 12MR5000-PG9-INOX | |