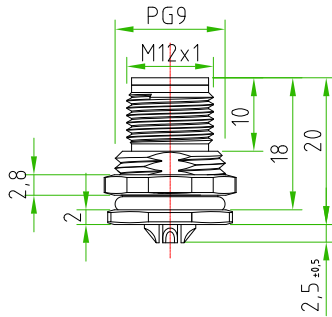
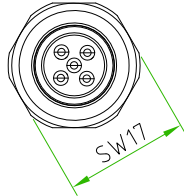


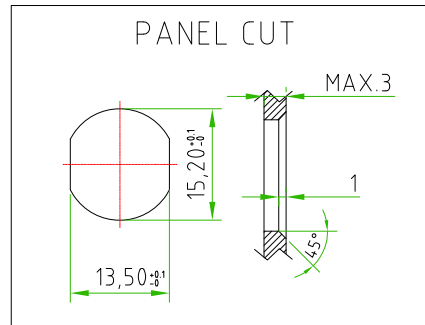
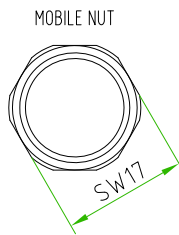
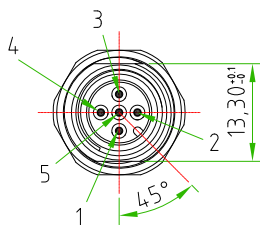
Rev.			
Modify			
Date			
Signed			
Approved			

Rev.			
Modify			
Date			
Signed			
Approved			

Rev.			
Modify			
Date			
Signed			
Approved			



CONNECTOR FEATURES	PRODUCT TYPE	M12 CIRCULAR CONNECTOR TO PANEL WITH WIRES
	TYPE MOUNTING	BACK MOUNTING
	CONTACTS TYPE	MALE SPOLES
	NUMBER OF CONTACTS CONNECTED	N°5
	HOUSING MATERIAL	STAINLESS STEEL (AISI 304)
	O-RING MATERIAL	NBR
	FIXING THREAD	PG9
	SIZE CUT	13,30mm (+0,1/-0)
	SIZE FIXED NUT(SW)	SW17
	SIZE MOBILE NUT(SW)	SW17
	PROTECTION CLASS	IP67
	RATED VOLTAGE	60V AC/DC
	RATED CURRENT	4A
	CONNECTOR WITHOUT ANY LOGO	



PAY ATTENTION to the position of the polarization key towards the CUT and the exagonal fixing nut.

CUSTOMER APPROVAL	
SIGNATURE	DATE
PLEASE SIGN AND RETURN	

A4

Designer	SUGLIANI R.	Date	2018-01-26	Tolerance	±0.3	Units:	mm	Series	M12	Drawing n.
Approved	CIMMINO L.	Date	2018-01-26	Scale	1:1	Size:	A4	Customer code:		

	DESCRIPTION	H.T.P.PART NUMBER
	CIRCULAR CONNECTOR M12, MALE, TO PANEL, 5POLES, BACK MOUNTING, PG9 THREAD, COMPLETE WITH CUT (POLARIZATION KEY OF THE CONNECTOR MUST BE POSITIONED 180° TOWARDS THE CUT), WITH CONTACTS TO SOLDER. CONNECTOR WITHOUT ANY LOGO	12MR5000-PG9-CUT-INO