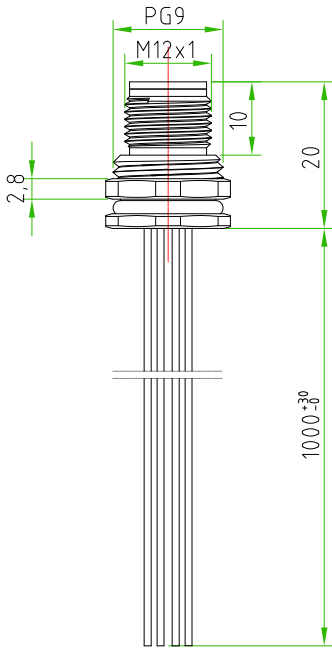
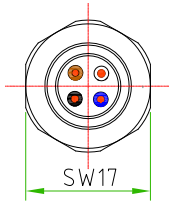


| | | | | |
|------|--------|------|--------|----------|
| Rev. | Modify | Date | Signed | Approved |
| | | | | |

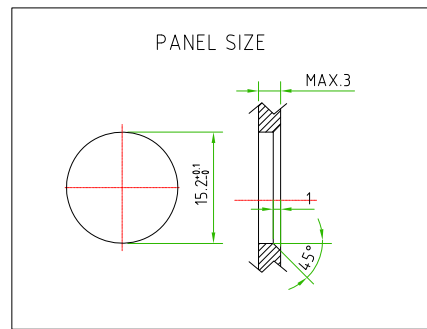
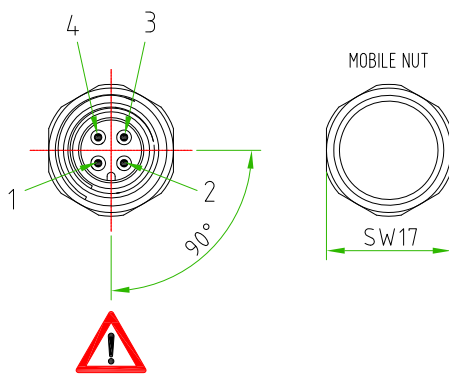
| | | | | |
|------|--------|------|--------|----------|
| Rev. | Modify | Date | Signed | Approved |
| | | | | |

| | | | | |
|------|--------|------|--------|----------|
| Rev. | Modify | Date | Signed | Approved |
| | | | | |

- BROWN ○ ———— ■ 1
- WHITE ○ ———— ■ 2
- BLUE ○ ———— ■ 3
- BLACK ○ ———— ■ 4



| | | |
|--------------------------------|------------------------------|---|
| CONNECTOR FEATURES | PRODUCT TYPE | M12 CIRCULAR CONNECTOR TO PANEL WITH WIRES. |
| | TYPE MOUNTING | BACK MOUNTING |
| | CONTACTS TYPE | MALE 4POLES |
| | NUMBER OF CONTACTS CONNECTED | N°4 |
| | HOUSING MATERIAL | BRASS+NICKEL PLATED |
| | O-RING MATERIAL | NBR |
| | FIXING THREAD | PG9 |
| | SIZE FIXED NUT(SW) | SW17 |
| | SIZE MOBILE NUT(SW) | SW17 |
| | PROTECTION CLASS | IP67 |
| WIRES FEATURES | RATED VOLTAGE | 250V AC/DC |
| | RATED CURRENT | 4A |
| | CONNECTOR WITHOUT ANY LOGO | |
| | NUMBER OF CONDUCTORS | N°4 |
| CONDUCTORS SECTION | 0,25mm ² | |
| CONDUCTORS INSULATION MATERIAL | PVC | |
| CONDUCTORS LENGHT | 1000mm | |



!
PAY ATTENTION to the position of the polarization key towards the exagonal fixing nut.

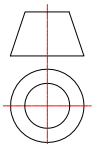
CUSTOMER APPROVAL

| | |
|-----------|------|
| SIGNATURE | DATE |
| | |

PLEASE SIGN AND RETURN

A4

| | | | | | | | | | | |
|----------|------------|------|------------|-----------|------|--------|----|----------------|-----|------------|
| Designer | CIMMINO L. | Date | 2016-10-17 | Tolerance | ±0.3 | Units: | mm | Series | M12 | Drawing n. |
| Approved | MAZZOLA M. | Date | 2016-10-17 | Scale | 1:1 | Size: | A4 | Customer code: | | |



DESCRIPTION
CIRCULAR CONNECTOR M12, MALE, TO PANEL, 4POLES, BACK MOUNTING, PG9 THREAD, WITH N°4 WIRES PVC 0,25mm² L=1m
CONNECTOR WITHOUT ANY LOGO

H.T.P.PART NUMBER

12MR4A1Z-PG9