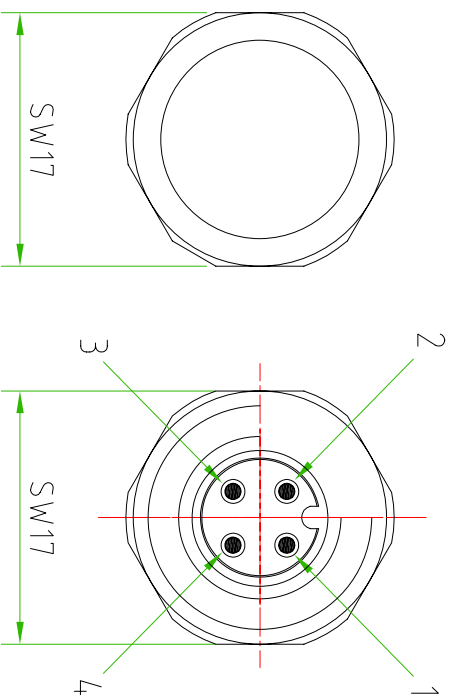
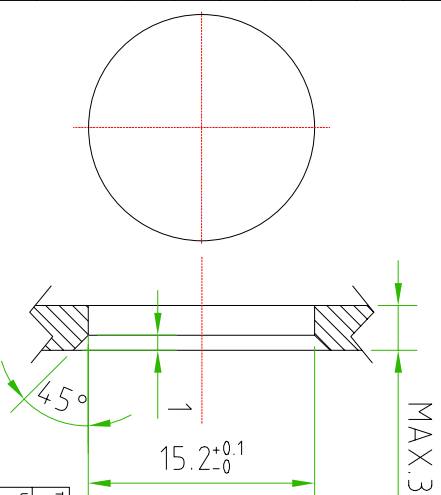


- BROWN ○ — 1
- WHITE ○ — 2
- BLUE ○ — 3
- BLACK ○ — 4



PANEL SIZE



CONNECTOR FEATURES	
CONNECTOR TYPE	M12 TO PANEL
MOUNTING TYPE	BACK
CONTACT TYPE	MALE
NUMBER OF CONTACTS CONNECTED	n°4
HOUSING MATERIAL	Brass+nickel plated (CuZnNi)
FIXING THREAD	PG9
SWITCH FIXED NUT	SW17
CONDUCTOR MATERIAL	PVC
CONDUCTOR LENGTH	200mm
CONDUCTOR SECTION	0.25mm ²
n°OF CONDUCTORS	4
RATED VOLTAGE	250V
RATED CURRENT	4A

TOLLERANZE	±0.2	DISIGNATORE	DATA	SCALA	DESIGNO N.
UDM	ANGOLO	LORENZO CHINIO	26.05.12	2:1	
		CONTROLATO			
DESCRIZIONE					
M12 MALE PANEL 4 POLES BACK MOUNTING PG9 WITH					
SOLDERED CONTACTS PVC 0.25mm ² L=200mm					
				TR90	DESIGNO N.
				M12	MATERIALE
				CODE	
				12MR4A0B-PG9	



H.T.P.
HIGH TECH PRODUCTS