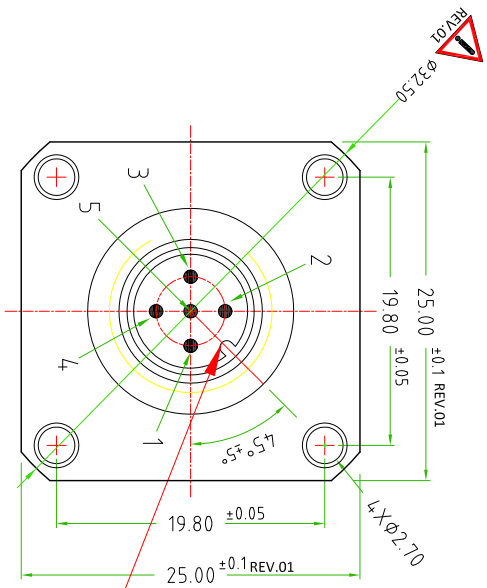
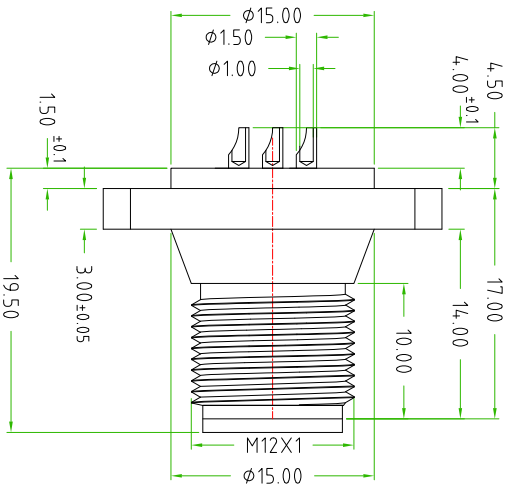
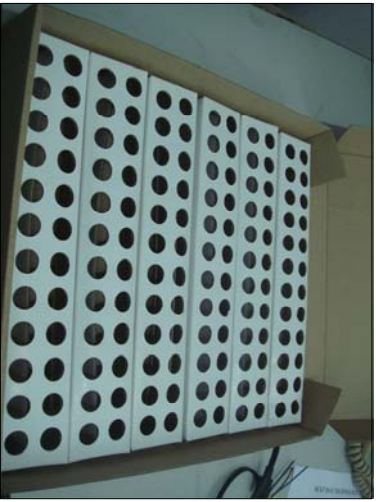


DATE	REV.	DESCRIPTION	NAME
07.07.2015	01	THE FLANGE DIMENSIONS ARE CHANGED FROM 25.40mm TO 25mm THE n°4 ANGLES OF THE FLANGE HAVE BEEN MODIFIED. THE NEW DIAMETER HAS TO BE $\phi 32.50$ mm	LORENZO CIMMINO

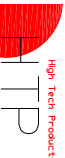


PAY ATTENTION TO THE POSITIONING OF THE M12 POLARIZATION KEY

PACKAGING:
THE ITEMS MUST BE PACKED IN CARTON BOX WITH PACKAGING AS PER THE ATTACHED PHOTO.



CONNECTOR FEATURES	
CONNECTOR TYPE	M12 TO PANEL WITH FLANGE
MOUNTING TYPE	MALE TO SOLDERED
NUMBER OF CONTACTS	n°5
CONTACT TYPE	FRONTAL
FIXING HOLES DISTANCE	19.8mm
FIXING HOLES DIAMETER	$\phi 2.7$ mm
HOUSING MATERIAL	Brass+nickel plated (CuZnNi)
FLANGE SIZE	25mmx25mm REV.01
RATED VOLTAGE	60V
RATED CURRENT	4A

TOLLERANZE	DISIGNATORE	DATA	SCALA	DESIGN N.
UDM	±0.2	LORENZO CIMMINO	07.07.15	2:1
ANGOLI	CONTROLATO			
DESCRIZIONE		TP99		
M12 MALE CONNECTOR, TO PANEL BACK MOUNTING, 5POLES, SOLDERED CONTACTS, WITH FLANGE 25mmx25mm.			M12	MATERIALE
 H.T.P. HIGH TECH PRODUCTS		CODE	12MP5000-FL-B	