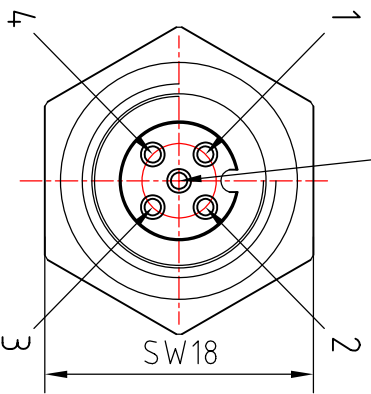


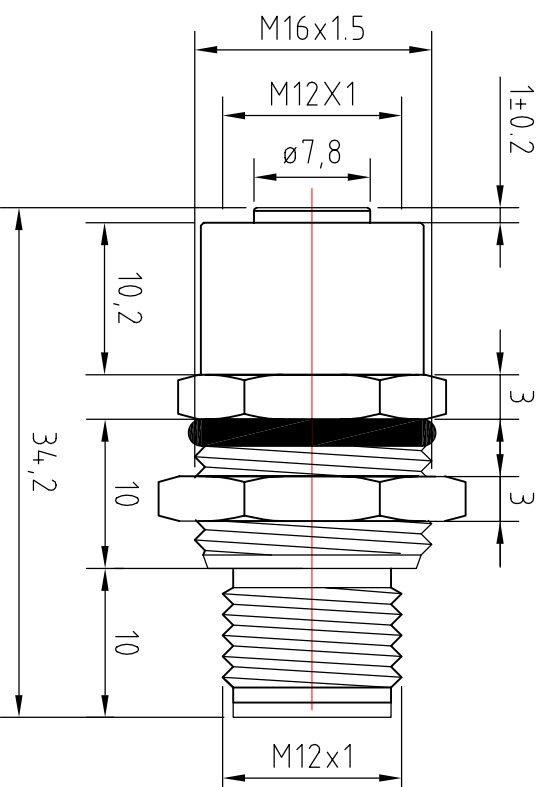
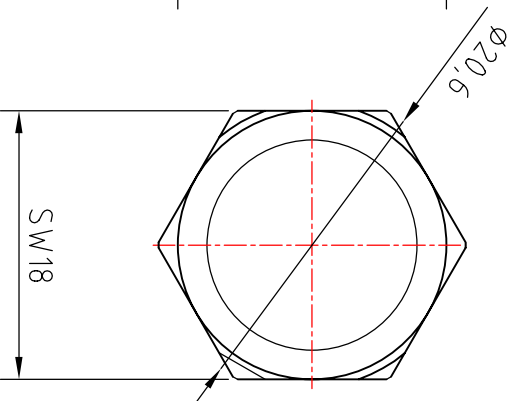
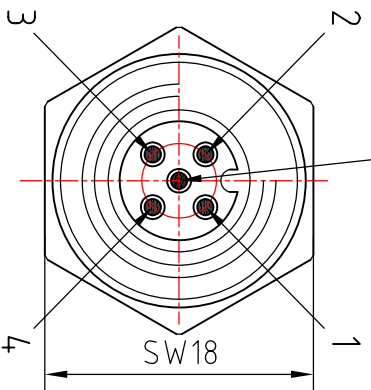
FEMALE

5

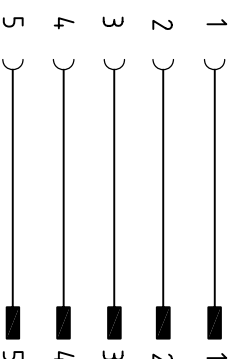


MALE

5



ELECTRICAL SCHEME:



CONNECTOR FEATURES	
PRODUCT TYPE	ADAPTER M12-M12
CONNECTOR TYPE	PANEL
CONTACT TYPE	FEMALE-MALE
NUMBER OF CONTACTS CONNECTED	n°5
O'RING MATERIAL	NBR
HOUSING MATERIAL	METAL (CuZn/Ni)
THREAD	M16X1,5
SWITCH FIXED NUT	SW18

TOLLERANZE	DISEGNATORE	DATA	SCALA	DISEGNO N.
±0,2	LIONELLO CERRINO	23.02.10	2:1	
UNO	ANGOLO	CONTROLATO		
DESCRIZIONE M12 FEMALE PANEL-M12 MALE PANEL 5 POLES THREAD M16X1,5				PRO M12
H.T.P. HIGH TECH PRODUCTS				MATERIALE
12MP5-12FP5-M16				