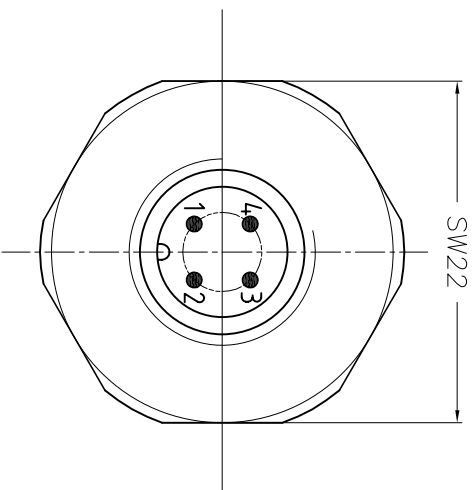
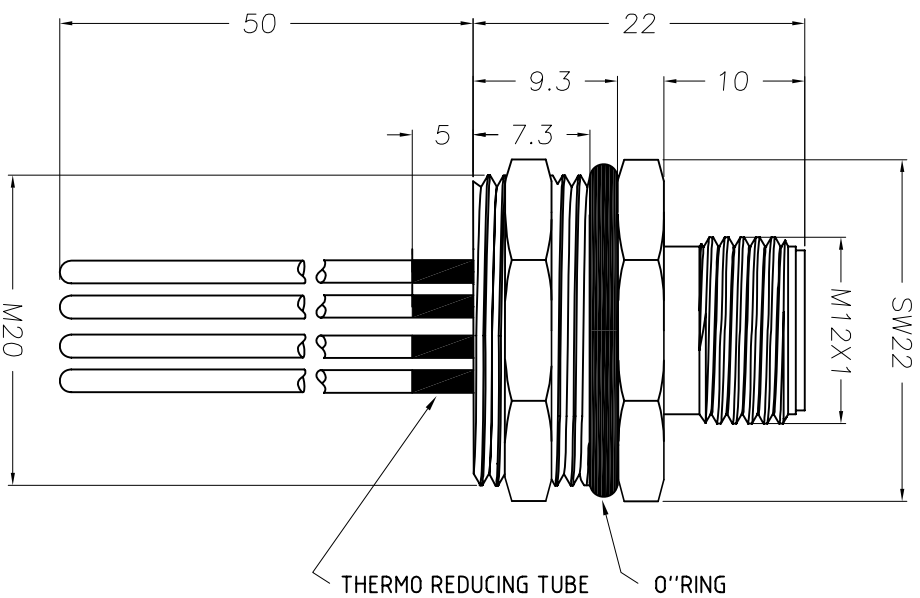


- BROWN — 1
- WHITE — 2
- BLUE — 3
- BLACK — 4

FRONTAL VIEW



CONNECTOR FEATURES	
CONNECTOR TYPE	M12 TO PANEL
MOUNTING TYPE	FRONTAL
CONTACT TYPE	MALE
NUMBER OF CONTACTS CONNECTED	n°4
HOUSING MATERIAL	METAL (CuZn/Ni)
THREAD	M20
SWITCH FIXED NUT	SW22
CONDUCTOR MATERIAL	PVC
CONDUCTOR LENGTH	50mm
CONDUCTOR SECTION	0,34mm ²
n°OF CONDUCTORS	4
THERMO REDUCING TUBE	L=5mm±1



TOLLERANZE	DISEGNATORE	DATA	SCALA	DISEGNO N.
U4H	LORENZO CERINO	15.04.09	2:1	
ANGOLO	CONTROLLO			
DESCRIZIONE				
M12 MALE PANEL,FRONTAL MOUNTING 4 POLES,THREAD M20, WITH n°4 WIRES 0,34mm ² , L=50mm				
H.T.P. HIGH TECH PRODUCTS			TR0	MATERIALE
H.T.P. HIGH TECH PRODUCTS				
H.T.P. HIGH TECH PRODUCTS			CODE	12MP4B005-M20