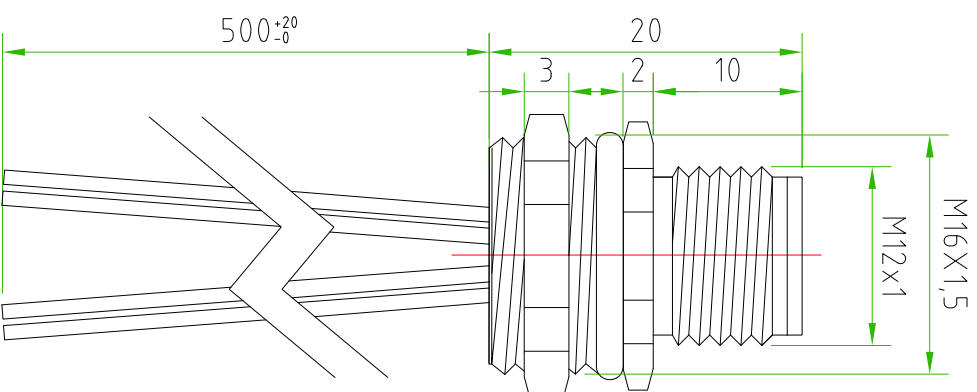
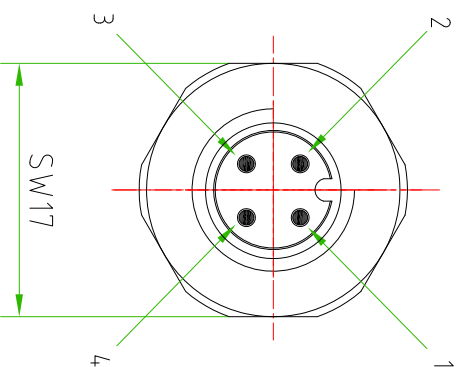
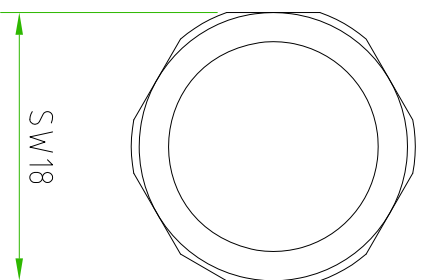
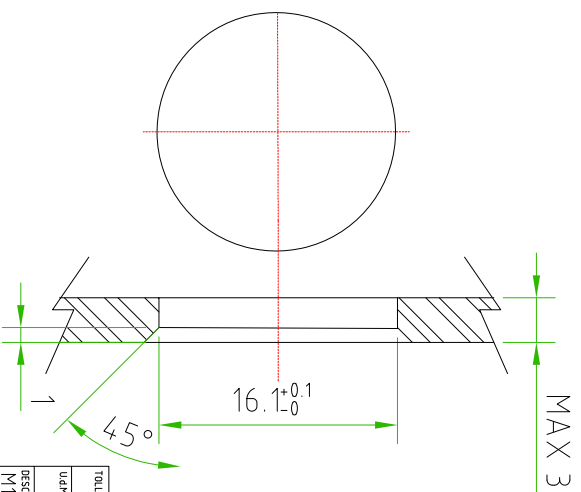


- BROWN ○ — 1
- WHITE ○ — 2
- BLUE ○ — 3
- BLACK ○ — 4



PANEL SIZE



CONNECTOR FEATURES

CONNECTOR TYPE	M12 TO PANEL
MOUNTING TYPE	FRONTAL
CONTACT TYPE	MALE
NUMBER OF CONTACTS CONNECTED	n°4
HOUSING MATERIAL	Brass+nickel plated (CuZnNi)
FIXING THREAD	M16X1,5
FIXED NUT(SW)	SW17
MOBILE NUT(SW)	SW18
CONDUCTOR MATERIAL	PVC
CONDUCTOR LENGHT	500mm
CONDUCTOR SECTION	0.25mm ²
NUMBER OF CONDUCTORS	4
RATED VOLTAGE	250V
RATED CURRENT	4A

TOLLERANZE		DISIGNATORE		DATA		SCALA		DISIGNO N	
UDM	±0.2	ANGOLO	LORENZO CHINO	07.05.15	2:1				
		CONTROLLATO						MATERIALE	
DESCRIZIONE									
M12 MALE PANEL 4 POLES FRONTAL MOUNTING									
M16X1,5 WITH N.4 WIRES 0.25mm ² L=500mm									
H.T.P. HIGH TECH PRODUCTS								12MP4A0E-M16	