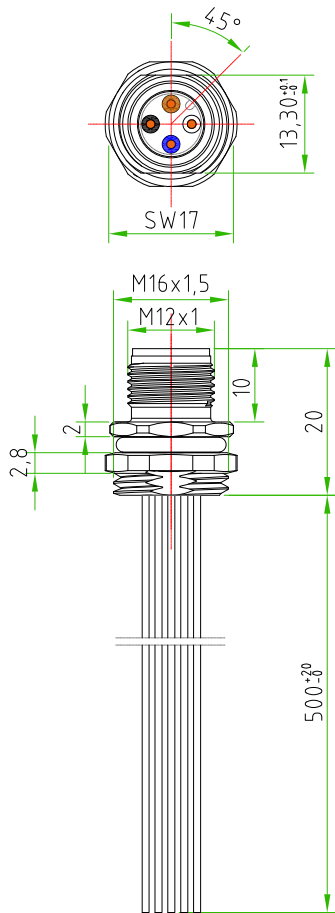
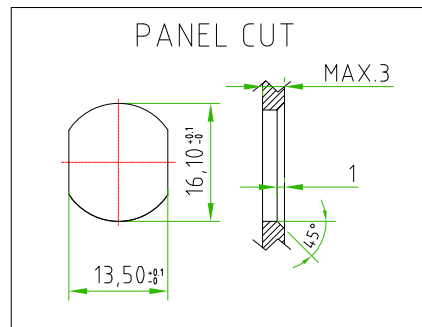
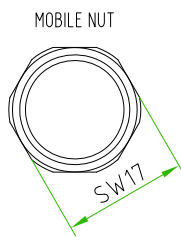
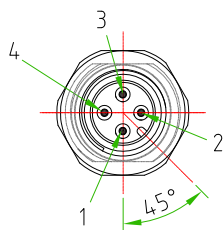


Rev.	Modify	Date	Signed	Approved
Rev.	Modify	Date	Signed	Approved
Rev.	Modify	Date	Signed	Approved
Rev.	Modify	Date	Signed	Approved
Rev.	Modify	Date	Signed	Approved

- BROWN ○ ————— ■ 1
- WHITE ○ ————— ■ 2
- BLUE ○ ————— ■ 3
- BLACK ○ ————— ■ 4



CONNECTOR FEATURES	PRODUCT TYPE	M12 CIRCULAR CONNECTOR TO PANEL WITH WIRES
	TYPE MOUNTING	FRONTAL MOUNTING
	CONTACTS TYPE	MALE 4POLES
	NUMBER OF CONTACTS CONNECTED	N°4
	HOUSING MATERIAL	BRASS+NICKEL PLATED
	O-RING MATERIAL	NBR
	FIXING THREAD	M16X1,5
	SIZE CUT	13,30mm (+0,1/-0)
	SIZE FIXED NUT(SW)	SW17
	SIZE MOBILE NUT(SW)	SW17
	PROTECTION CLASS	IP67
	RATED VOLTAGE	250V AC/DC
	RATED CURRENT	4A
	CONNECTOR WITHOUT ANY LOGO	
WIRES FEATURES	NUMBER OF CONDUCTORS	N°4
	CONDUCTORS SECTION	0,25mm <sup>2</sup>
	CONDUCTORS INSULATION MATERIAL	PVC
	CONDUCTORS LENGHT	500mm



PAY ATTENTION to the position of the polarization key towards the CUT and the exagonal fixing nut.

**CUSTOMER APPROVAL**

SIGNATURE	DATE

**PLEASE SIGN AND RETURN**

Designer	SUGLIANI R.	Date	2019-02-05	Tolerance	±0.3	Units:	mm	Series	M12	Drawing n. 1-1
Approved	CIMMINO L.	Date	2019-02-05	Scale	1:1	Size:	A4	Customer code:		



**DESCRIPTION**

CIRCULAR CONNECTOR M12,MALE, TO PANEL, 4POLES,FRONTAL MOUNTING,M16X1,5 FIXING THREAD COMPLETE WITH CUT, WITH N°5 WIRES PVC 0,25mm<sup>2</sup> L=500mm  
CONNECTOR WITHOUT ANY LOGO

**H.T.P.PART NUMBER**

12MP4A0E-M16-CUT