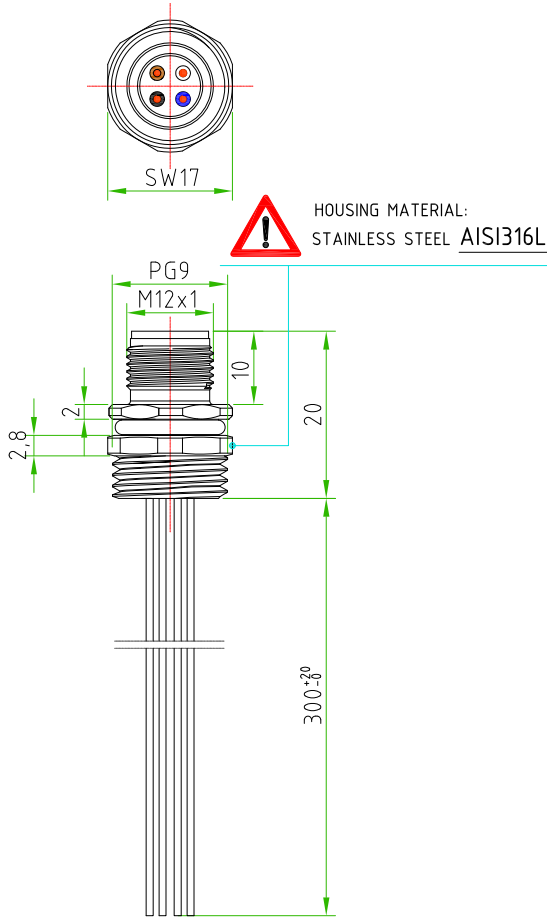


Rev.	Modify	Date	Signed	Approved

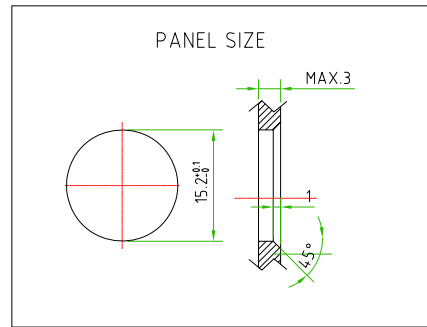
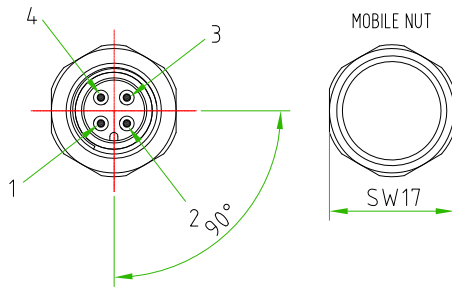
Rev.	Modify	Date	Signed	Approved

Rev.	Modify	Date	Signed	Approved

- BROWN ○ ———— ■ 1
- WHITE ○ ———— ■ 2
- BLUE ○ ———— ■ 3
- BLACK ○ ———— ■ 4



CONNECTOR FEATURES	
PRODUCT TYPE	M12 CIRCULAR CONNECTOR TO PANEL WITH WIRES.
TYPE MOUNTING	FRONTAL MOUNTING
CONTACTS TYPE	MALE 4POLES
NUMBER OF CONTACTS CONNECTED	N°4
HOUSING MATERIAL	STAINLESS STEEL AISI316L
O-RING MATERIAL	NBR
FIXING THREAD	PG9
SIZE FIXED NUT(SW)	SW17
SIZE MOBILE NUT(SW)	SW17
PROTECTION CLASS	IP67
RATED VOLTAGE	250V AC/DC
RATED CURRENT	4A
CONNECTOR WITHOUT ANY LOGO	
WIRES FEATURES	
NUMBER OF CONDUCTORS	N°4
CONDUCTORS SECTION	0,25mm ²
CONDUCTORS INSULATION MATERIAL	PVC
CONDUCTORS LENGHT	300mm



PAY ATTENTION to the position of the polarization key towards the exagonal fixing nut.

CUSTOMER APPROVAL	
SIGNATURE	DATE
PLEASE SIGN AND RETURN	

Designer	CIMMINO L.	Date	2018-09-20	Tolerance	±0.3	Units:	mm	Series	M12	Drawing n. 1-1
Approved	SUGLIANI R.	Date	2018-09-20	Scale	1:1	Size:	A4	Customer code:		

DESCRIPTION
 CIRCULAR CONNECTOR M12,MALE,TO PANEL,4POLES,FRONTAL MOUNTING, PG9 THREAD,STAINLESS STEEL AISI316L,WITH N°4 WIRES PVC 0,25mm² L=300mm.CONNECTOR WITHOUT ANY LOGO

H.T.P.PART NUMBER
 12MP4A0C-PG9-IN316



A4

