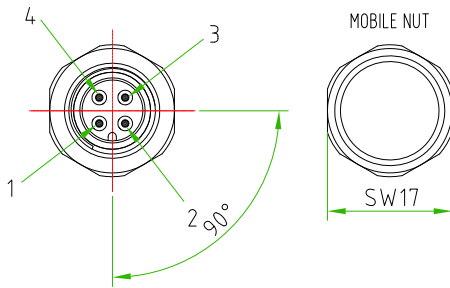
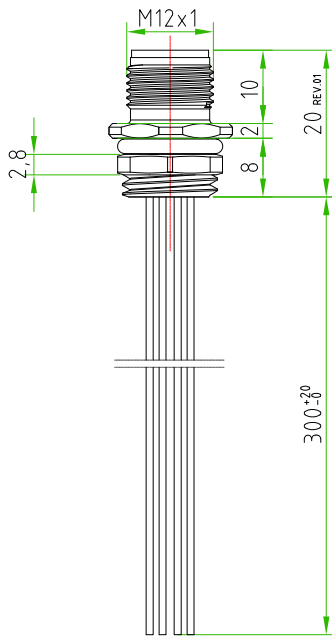
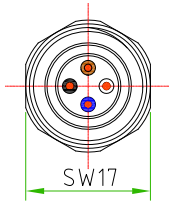


Rev.	Modify	Date	Signed	Approved

Rev.	Modify	Date	Signed	Approved

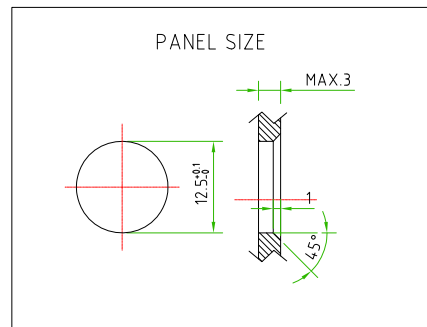
Rev.	Modify	Date	Signed	Approved
01	01	2018.05.23	L.C.	M.M.

- BROWN ○ ————— ■ 1
- WHITE ○ ————— ■ 2
- BLUE ○ ————— ■ 3
- BLACK ○ ————— ■ 4



PAY ATTENTION to the position of the polarization key towards the exagonal fixing nut.

CONNECTOR FEATURES	PRODUCT TYPE	M12 CIRCULAR CONNECTOR TO PANEL WITH WIRES.
	TYPE MOUNTING	FRONTAL MOUNTING
	CONTACTS TYPE	MALE 4POLES
	NUMBER OF CONTACTS CONNECTED	N°4
	HOUSING MATERIAL	BRASS+NICKEL PLATED
	O-RING MATERIAL	NBR
	FIXING THREAD	PG7
	SIZE FIXED NUT(SW)	SW17
	SIZE MOBILE NUT(SW)	SW17
	PROTECTION CLASS	IP67
RATED VOLTAGE	250V AC/DC	
RATED CURRENT	4A	
CONNECTOR WITHOUT ANY LOGO		
WIRES FEATURES	NUMBER OF CONDUCTORS	N°4
	CONDUCTORS SECTION	0,25mm ²
	CONDUCTORS INSULATION MATERIAL	PVC
	CONDUCTORS LENGHT	300mm



CUSTOMER APPROVAL

SIGNATURE DATE

PLEASE SIGN AND RETURN

Designer	SUGLIANI R.	Date	2017-02-07	Tolerance	±0.3	Units:	mm	Series	M12	Drawing n.
Approved	CIMMINO L.	Date	2017-02-07	Scale	1:1	Size:	A4	Customer code:		

DESCRIPTION
 CIRCULAR CONNECTOR M12, MALE, TO PANEL, 4POLES, FRONTAL MOUNTING, PG7 THREAD, WITH N°4 WIRES PVC 0,25mm² L=300mm
 CONNECTOR WITHOUT ANY LOGO

H.T.P.PART NUMBER

12MP4A0C-PG7



A4

