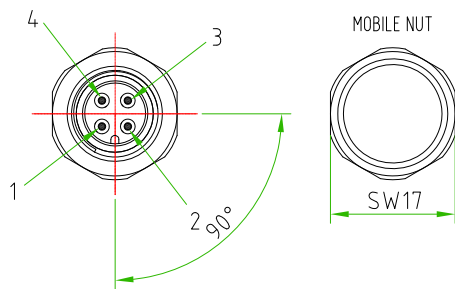
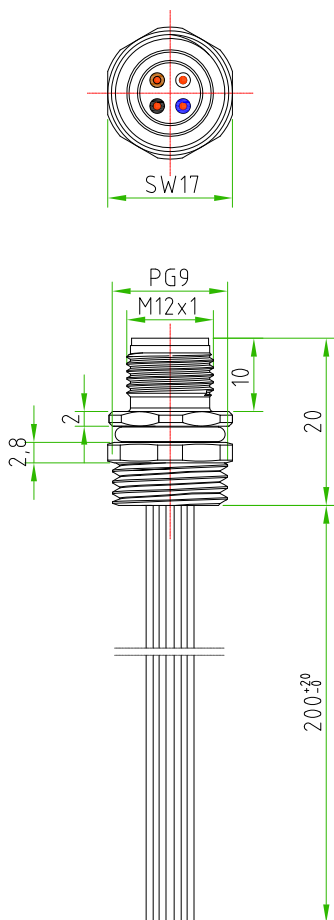


Rev.	Modify	Date	Signed	Approved

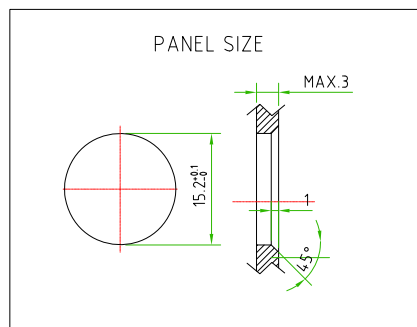
Rev.	Modify	Date	Signed	Approved

Rev.	Modify	Date	Signed	Approved

- BROWN ○ ————— ■ 1
- WHITE ○ ————— ■ 2
- BLUE ○ ————— ■ 3
- BLACK ○ ————— ■ 4



CONNECTOR FEATURES	PRODUCT TYPE	M12 CIRCULAR CONNECTOR TO PANEL WITH WIRES.
	TYPE MOUNTING	FRONTAL MOUNTING
	CONTACTS TYPE	MALE 4POLES
	NUMBER OF CONTACTS CONNECTED	N°4
	HOUSING MATERIAL	BRASS+NICKEL PLATED
	O-RING MATERIAL	NBR
	FIXING THREAD	PG9
	SIZE FIXED NUT(SW)	SW17
	SIZE MOBILE NUT(SW)	SW17
	PROTECTION CLASS	IP67
WIRES FEATURES	RATED VOLTAGE	250V AC/DC
	RATED CURRENT	4 A
	CONNECTOR WITHOUT ANY LOGO	
	NUMBER OF CONDUCTORS	N°4
	CONDUCTORS SECTION	0,25mm ²
CONDUCTORS INSULATION MATERIAL	PVC	
CONDUCTORS LENGHT	200mm	



PAY ATTENTION to the position of the polarization key towards the exagonal fixing nut.

CUSTOMER APPROVAL	
SIGNATURE	DATE
PLEASE SIGN AND RETURN	

Designer	SUGLIANI R.	Date	2017-07-27	Tolerance	±0.3	Units:	mm	Series	M12	Drawing n. 1-1
Approved	CIMMINO L.	Date	2017-07-27	Scale	1:1	Size:	A4	Customer code:		

DESCRIPTION
 CIRCULAR CONNECTOR M12,MALE,TO PANEL,4POLES,FRONTAL MOUNTING, PG9 THREAD,WITH N°4 WIRES PVC 0,25mm² L=200mm
 CONNECTOR WITHOUT ANY LOGO

H.T.P.PART NUMBER

12MP4A0B-PG9

A4

