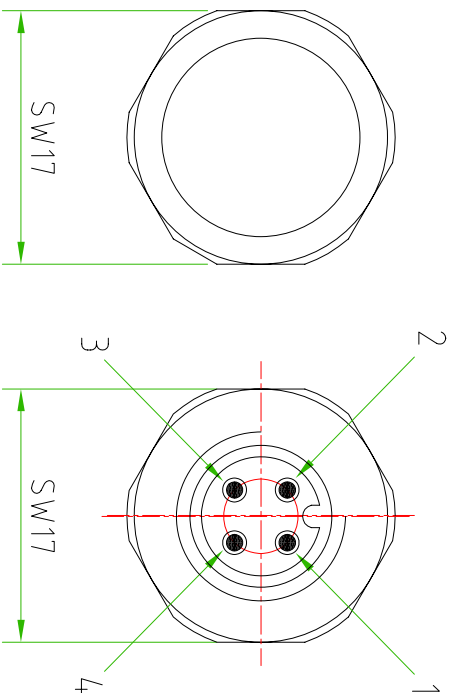
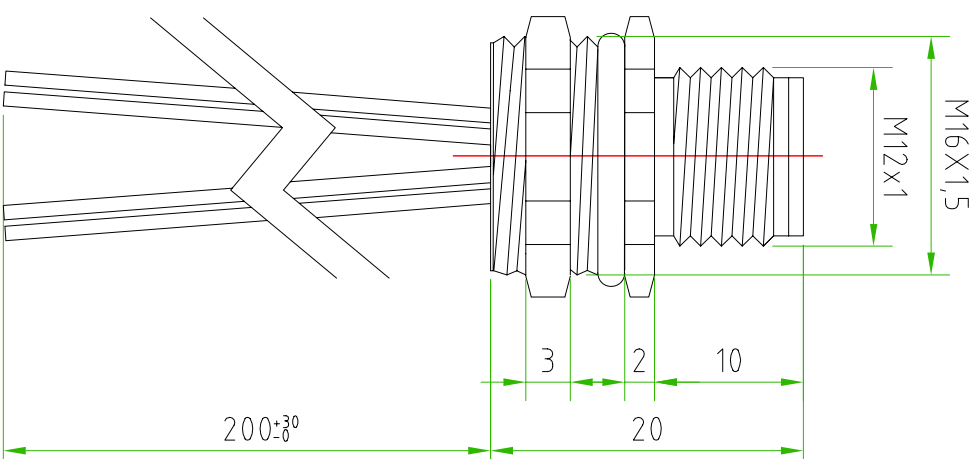
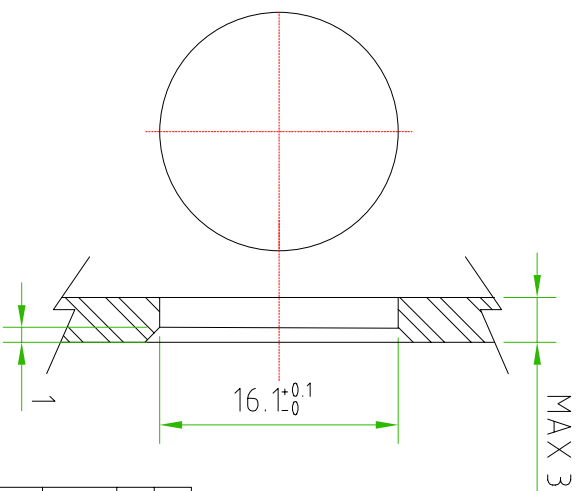



- BROWN ○ —■ 1
- WHITE ○ —■ 2
- BLUE ○ —■ 3
- BLACK ○ —■ 4



CONNECTOR FEATURES	
CONNECTOR TYPE	M12 TO PANEL
MOUNTING TYPE	FRONTAL
CONTACT TYPE	MALE
NUMBER OF CONTACTS CONNECTED	n°4
HOUSING MATERIAL	Brass+nickel plated (CuZnNi)
FIXED THREAD	M16x1,5
SWITCH FIXED NUT	SW17
CONTACT TYPE	SOLDERED CONTACTS
CONDUCTOR MATERIAL	PVC
CONDUCTOR LENGHT	200mm
CONDUCTOR SECTION	0.25mm ²
n°OF CONDUCTORS	4

PANEL SIZE



TOLLERANZE	±0.2	DISIGNATORE	DATA	SCALA	DISIGNO N.
UDM	ANGULO	LORENZO CHINIO CONTROLLATO	22.05.12	2:1	
DESCRIZIONE			TIPO	MATERIALE	
M12 MALE PANEL 4 POLES FRONTAL MOUNTING M16X1,5, WITH SOLDERED CONTACTS PVC 0.25mm ² L=200mm			M12		
 H.T.P. HIGH TECH PRODUCTS			CODICE 12MP4A0B-M16		