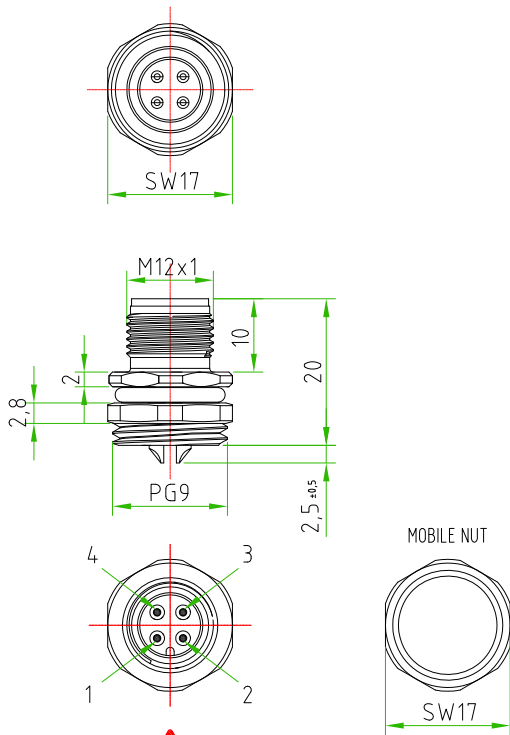
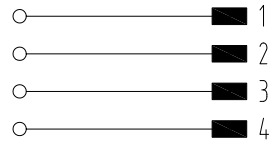


Rev.				
Modify				
Date				
Signed				
Approved				

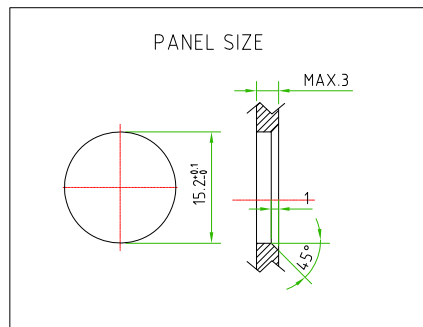
Rev.				
Modify				
Date				
Signed				
Approved				

Rev.				
Modify				
Date				
Signed				
Approved				



PAY ATTENTION to the position of the polarization key towards the exagonal fixing nut.

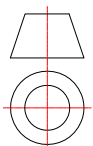
CONNECTOR FEATURES	PRODUCT TYPE	M12 CIRCULAR CONNECTOR TO PANEL WITH CONTACTS FOR SOLDER WIRES.
	TYPE MOUNTING	FRONTAL MOUNTING
	CONTACTS TYPE	MALE 4POLES
	NUMBER OF CONTACTS CONNECTED	N°4
	HOUSING MATERIAL	BRASS+NICKEL PLATED
	O-RING MATERIAL	NBR
	FIXING THREAD	PG9
	SIZE FIXED NUT(SW)	SW17
	SIZE MOBILE NUT(SW)	SW17
	PROTECTION CLASS	IP67
	RATED VOLTAGE	250V AC/DC
	RATED CURRENT	4A
	CONNECTOR WITHOUT ANY LOGO	



CUSTOMER APPROVAL	
SIGNATURE	DATE
PLEASE SIGN AND RETURN	

A4

Designer	SUGLIANI R.	Date	2016-06-16	Tolerance	±0.3	Units:	mm	Series	M12	Drawing n.
Approved	CIMMINO L.	Date	2016-06-16	Scale	1:1	Size:	A4	Customer code:		



**DESCRIPTION**  
CIRCULAR CONNECTOR M12, MALE, TO PANEL, 4POLES, FRONTAL MOUNTING, PG9 THREAD, WITH CONTACTS FOR SOLDER WIRES. CONNECTOR WITHOUT ANY LOGO

H.T.P.PART NUMBER

12MP4000-PG9