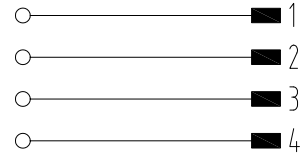
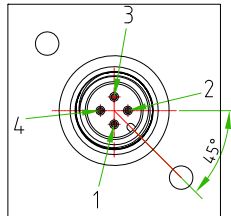
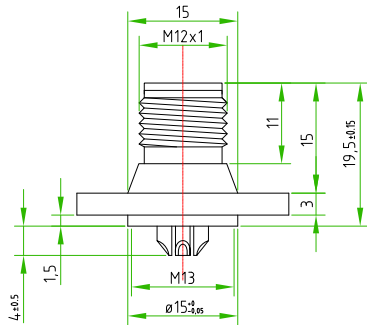
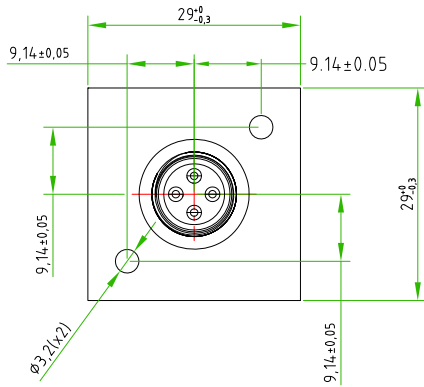


Rev.				
Modify				
Date				
Signed				
Approved				

Rev.				
Modify				
Date				
Signed				
Approved				

Rev.				
Modify				
Date				
Signed				
Approved				



PRODUCT TYPE	M12 CIRCULAR CONNECTOR TO PANEL WITH FLANGE 29x29mm
TYPE MOUNTING	FRONTAL MOUNTING
CONTACTS TYPE	MALE 4POLES
NUMBER OF CONTACTS CONNECTED	N°4
HOUSING MATERIAL	BRASS+NICKEL PLATED
FLANGE SIZE	29x29mm
FIXING HOLES DIAMETER (X2)	ø3,2mm
FIXING HOLES DISTANCE	18,28x18,28mm
PROTECTION CLASS	IP67
RATED VOLTAGE	250V AC/DC
RATED CURRENT	4A
CONNECTOR WITHOUT ANY LOGO	



PAY ATTENTION M12 TO PANEL WITH FLANGE, WITH N°2 FIXING HOLES

CUSTOMER APPROVAL

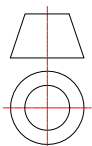
SIGNATURE

DATE

PLEASE SIGN AND RETURN

A4

Designer	SUGLIANI R.	Date	2017-06-23	Tolerance	±0.3	Units:	mm	Series	M12	Drawing n.
Approved	CIMMINO L.	Date	2017-06-23	Scale	1:1	Size:	A4	Customer code:		



DESCRIPTION

CIRCULAR CONNECTOR M12, MALE, TO PANEL, 4 POLES, FRONTAL MOUNTING, WITH FIXING FLANGE 29x29, FIXING HOLES DISTANCE 18,28x18,28, WITH SOLDERED CONTACTS CONNECTOR WITHOUT ANY LOGO

H.T.P. PART NUMBER

12MP4000-FL-C