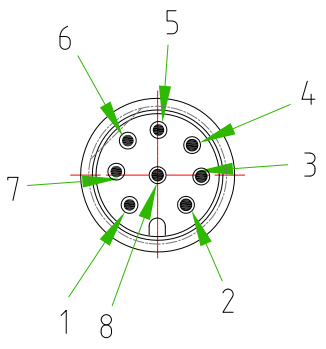
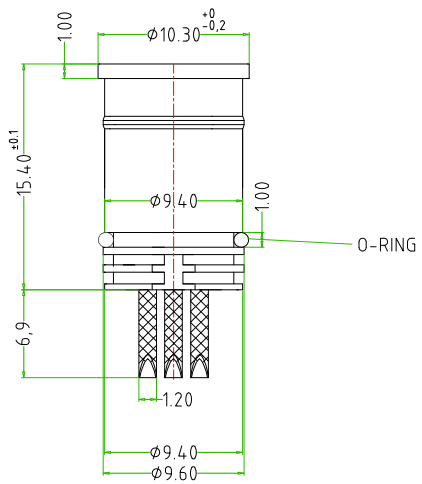
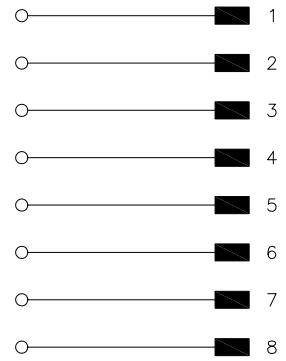
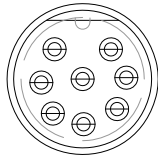


Rev.			
Modify			
Date			
Signed			
Approved			

Rev.			
Modify			
Date			
Signed			
Approved			

Rev.			
Modify			
Date			
Signed			
Approved			



PRODUCT TYPE	M12 INTERNALCORE OF PANEL CONNECTOR
INTERNAL CORE TYPE	MALE
INTERNAL CORE MATERIAL	PA66
O-RING MATERIAL	NBR
NUMBER OF CONTACTS	N°8
CONTACT TYPE	SOLDER
CONTACTS MATERIAL	CuZnPb
CONTACTS SURFACE MATERIAL	GOLD PLATED (0,45µm)
INSULATION RESISTANCE	≥100MΩ 500VDC
RATED VOLTAGE	30V AC/DC
RATED CURRENT	2A
INTERNAL CORE WITHOUT ANY LOGO	

CUSTOMER APPROVAL

SIGNATURE	DATE

PLEASE SIGN AND RETURN

Designer	SUGLIANI R.	Date	2018-03-27	Tolerance	±0.2	Units:	mm	Series	M12	Drawing n.
Approved	CIMMINO L.	Date	2018-03-27	Scale	2:1	Size:	A4	Customer code:		

DESCRIPTION
M12 INTERNAL CORE OF CIRCULAR CONNECTOR TO PANEL, MALE, BLACK COLOUR, 8POLES, WITH CONTACTS TO SOLDER. INTERNAL CORE WITHOUT ANY LOGO.

H.T.P.PART NUMBER
12MN8000

