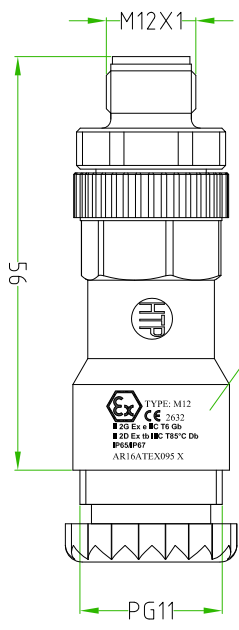
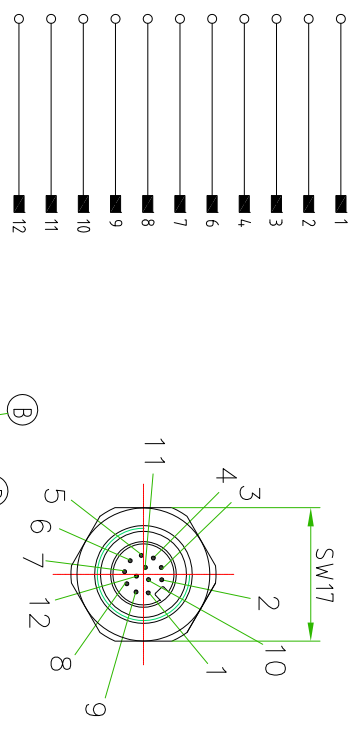


DATE	REV.	DESCRIPTION	NAME
07/08/2018	01	On the ATEX label and on the operating instructions must be added MADE IN CHINA.	ROBERTO SUGLIANI


PAY ATTENTION:

 TYPE: M12
 II 2G Ex e IIC T6 Gb
 II 2D Ex tb IIC T85°C Db
 IP65/IP67
 ARI6ATEX095 X

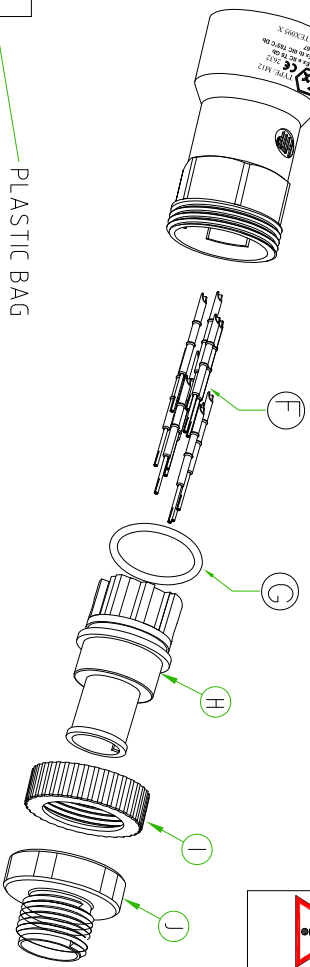


CONNECTOR FEATURES

PRODUCT TYPE	M12 FIELD ATTACHABLE
CONTACT TYPE	MALE
NUMBER OF CONTACTS	12POLES
HOUSING MATERIAL	PA66 - CM3004V0
HOUSING TYPE	180°
HOUSING COLOUR	BLACK
INTERNAL CORE MATERIAL	PA66 - CM3004V0
EXIT CABLE	PG9/PG11 AND DOUBLE EXIT
RATED VOLTAGE	30V AC/DC
RATED CURRENT	1,5A
COUPLING NUT MATERIAL	Brass-nickel plated (CuZnNi)
O-RING	NBR
PROTECTION CLASS	IP67
CONNECTOR WITH H.T.P. LOGO	

 THIS CODE IS SPECIAL BECAUSE IS THE ATEX CONNECTORS MAIN REFERENCE NORM:ATEX2014/34/EU MATERIAL PA66 - CM3004V0 (Material:V0 UL/CSA), FOR ALL COMPONENT OF THE CONNECTOR

 **PACKAGING:**
 SINGLY PACKED IN THE PLASTIC BAG
 IN THE PLASTIC BAG MUST BE INSERTED THE
 NEW OPERATING INSTRUCTION FOR CIRCULAR CONNECTORS.



A	EXAGONAL PRESS CABLE SCREW
B	LAMELLAE PRESS - CABLE SEAL
C	GAKET WITH DOUBLE EXIT + METAL WASHER
D	GAKET PRESS - CABLE SEAL
E	HOUSING BLACK
F	TO SOLDER CONTACT GOLD PLATED
G	O-RING
H	INTERNAL CORE M12
I	PLASTIC NUT FOR HOUSING
J	HEXAGONAL M12 NUT CuZnNi

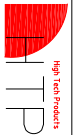
H.T.P. S.r.l.
 I-24030 - BREMBATE DI SOPRA(BG)
 CODE: 12ML12000-ATEX
 M12 PLASTIC HOUSING
 5#####

YEAR:20##
 MADE IN CHINA

II 2G Ex e IIC T6 Gb
 II 2D Ex tb IIC T85°C Db IP65/67
 ARI6ATEX095 X

CE 2632

PLASTIC BAG
 PRODUCTION YEAR
 EXAMPLE: 2016
 2017
 2018...
 H.T.P. PRODUCTION CODE
REV.01
 WHITE LABEL

TOLLERANZE	DISIGNAZIONE	DATA	SCALA	PESO
UDM	±0,3	ROBERTO SUGLIANI	1:1	
	ANGOLO	CONTROLLO		
DESCRIZIONE M12 MALE 180° FIELD ATTACHABLE 8POLES,PG11,BLACK HOUSING, WITH H.T.P. LOGO. CONNECTOR MAIN REFERENCE NORM:ATEX2014/34/EU				
			TR90	MATERIALE
				M12
 H.T.P. HIGH TECH PRODUCTS			CODE 12ML12000-ATEX	

DATE	REV.	DESCRIPTION	NAME
07/08/2018	01	On the ATEX label and on the operating instructions must be added MADE IN CHINA.	ROBERTO SUGLIANI

frontal side
~105



H.T.P. - High Tech Products S.R.L.
24030 BRESCIANE DI SIRMIONE (BS) ITALIA
Tel. +39 030 652539
Fax +39 030 652538
VAT: IT02622450187
www.htpp.it
info@htpp.it

EU-TYPE DECLARATION OF CONFORMITY
DICHIARAZIONE DI CONFORMITA'EU DEL TPO

H.T.P. High Tech Products S.R.L.
Via Lesina 45 - 24030 Breschiane di Sopra (BS) - Italy

Manufacturers' address
Indirizzo del costruttore

Manufacturer's Name
Nome del costruttore

Product description
Descrizione del prodotto

Marking
Marcatura

CE 12G Ex e IIC T8 Gb
CE 12G Ex e IIC T8 Gb IP55/67
CE 12D Ex IIc IIC T85°C Db IP55/67

Certificate number edit by Altabians srl - notified Body number 2532:
Numero certificato emesso da Altabians srl, organismo Notificato numero 2532:
Soddisfa la seguente Direttiva

2014/34/EU - ATEX

Compliance with the essential health and safety requirements has been assured by compliance with:
La conformità dei requisiti essenziali di sicurezza e salute è assicurata dalla conformità alle norme:
EN 60079-20:2012 - EN 60079-22:015 - EN 60079-3:2014

As in accordance to the European Harmonized Standards applied when the certificate was issued
In quanto conforme alle Norme Europee Armonizzate applicabili alla data di emissione del certificato sopra indicato


NOME E COGNOME
Luca Maria Diego (C.E.O.)

Roberto Sugliani

MADE IN CHINA

~149

back side



H.T.P. - High Tech Products S.R.L.
24030 BRESCIANE DI SIRMIONE (BS) ITALIA
Tel. +39 030 652539
Fax +39 030 652538
VAT: IT02622450187
www.htpp.it
info@htpp.it

EU-TYPE DECLARATION OF CONFORMITY
DICHIARAZIONE DI CONFORMITA'EU DEL TPO

H.T.P. High Tech Products S.R.L.
Via Lesina 45 - 24030 Breschiane di Sopra (BS) - Italy

Manufacturers' address
Indirizzo del costruttore

Manufacturer's Name
Nome del costruttore

Product description
Descrizione del prodotto

Marking
Marcatura

CE 12G Ex e IIC T8 Gb
CE 12G Ex e IIC T8 Gb IP55/67
CE 12D Ex IIc IIC T85°C Db IP55/67

Certificate number edit by Altabians srl - notified Body number 2532:
Numero certificato emesso da Altabians srl, organismo Notificato numero 2532:
Soddisfa la seguente Direttiva

2014/34/EU - ATEX

Compliance with the essential health and safety requirements has been assured by compliance with:
La conformità dei requisiti essenziali di sicurezza e salute è assicurata dalla conformità alle norme:
EN 60079-20:2012 - EN 60079-22:015 - EN 60079-3:2014

As in accordance to the European Harmonized Standards applied when the certificate was issued
In quanto conforme alle Norme Europee Armonizzate applicabili alla data di emissione del certificato sopra indicato

NOME E COGNOME
Luca Maria Diego (C.E.O.)

Roberto Sugliani

MADE IN CHINA

TOLLERANZE	UDM	ANGLO	CONTROLLO	DATA	SCALA	PESO
±0.3	ROBERTO SUGLIANI			26-07-2017	1:1	
DESCRIPTION M12 MALE 180° FIELD ATTACHABLE 8POLES PGM1BLACK HOUSING, WITH H.T.P. LOGO. CONNECTOR MAIN REFERENCE NORM ATEX2014/34/EU						
HTPP HIGH TECH PRODUCTS						HTPP
H.T.P.						12MML12000-ATEX
CODE						12MML12000-ATEX