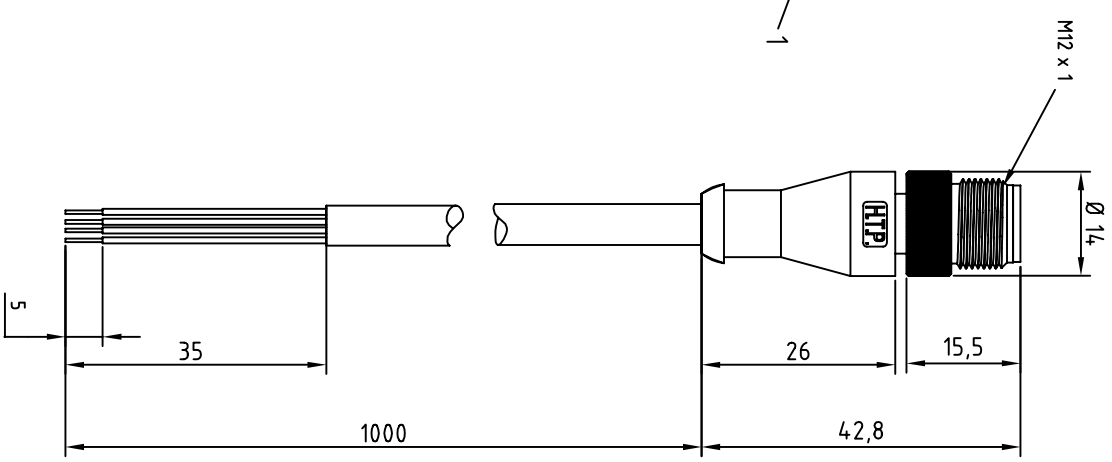
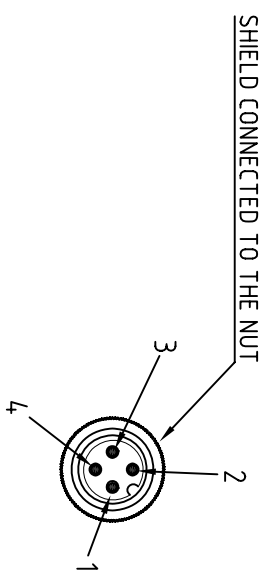
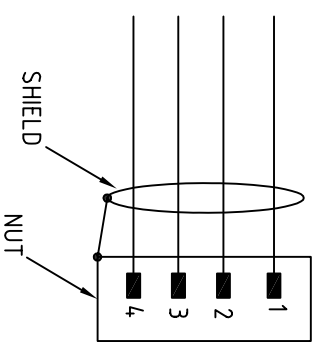


BROWN
WHITE
BLUE
BLACK



CABLE FEATURES		CONNECTOR FEATURES	
CONNECTOR TYPE	M12	CONNECTOR TYPE	MALE 4POLES
CONTACT TYPE		CABLE LENGTH	1000mm
CABLE LENGTH		PROTECTION CLASS	IP69K
PROTECTION CLASS		STRIPPING	35mm STANDARD
STRIPPING		PEELING	5mm STANDARD
PEELING		NUMBER OF CONTACTS CONNECTED	N°4
NUMBER OF CONTACTS CONNECTED		CONNECTOR WITH H.T.P LOGO	
CONNECTOR WITH H.T.P LOGO		TOTALLY SHIELDED CONNECTOR(SHIELD CONNECTED TO THE NUT)	
TOTALLY SHIELDED CONNECTOR(SHIELD CONNECTED TO THE NUT)		H.T.P.CABLE CODE	J
H.T.P.CABLE CODE	J	NUMBER OF CONDUCTORS	N°4
NUMBER OF CONDUCTORS	N°4	CONDUCTOR SECTION	0.25mm ²
CONDUCTOR SECTION	0.25mm ²	CABLE MATERIAL	PVC CEI2022
CABLE MATERIAL	PVC CEI2022	COATING COLOUR	BLACK
COATING COLOUR	BLACK	CONDUCTOR INSULATION MATERIAL	PVC
CONDUCTOR INSULATION MATERIAL	PVC	CABLE SHIELDED	

TOLERANCE	DISIGNATORE	DATA	SCALA	DESIGNO K.
U4H	ANGELO	LORENZO CHINNO	09.02.10	1:1
		CONTROLATO		
DESCRIZIONE		TPO		MATERIALE
M12 MALE 180° 4 POLES TOTALLY SHIELDED WITH		M12		
CABLE PVC/PVC/CEI2022.BLACK.SHIELDED,				
4X0.25mm ² L=1m				
HTP High Tech Products		H.T.P.		CODE
HIGH TECH PRODUCTS				12MJ4J1Z