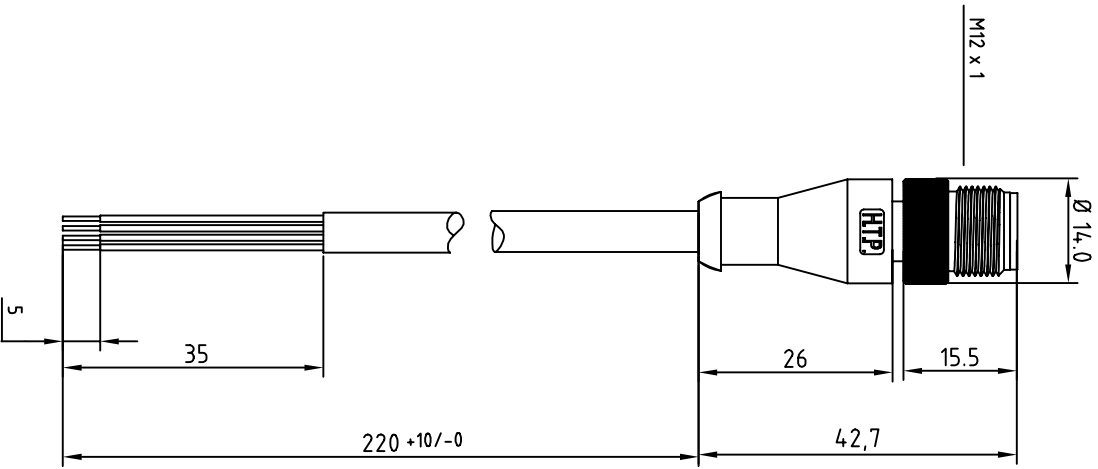
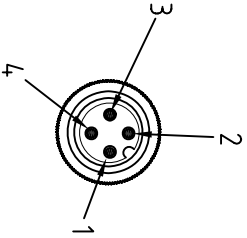


- BROWN — 1
- WHITE — 2
- BLUE — 3
- BLACK — 4



CABLE FEATURES	CONNECTOR FEATURES
TYPE CONTACT	MALE 4POLES
CABLE LENGTH	220mm
PROTECTION CLASS	IP69K
STRIPPING	35mm STANDARD
PEELING	5mm STANDARD
NUMBER OF CONTACTS CONNECTED	N°4
H.T.P. CABLE CODE	C
NUMBER OF CONDUCTORS	n°4
CONDUCTOR SECTION	0.25mm <sup>2</sup>
CABLE MATERIAL	PUR
COATING COLOUR	BLACK
CONDUCTOR INSULATION MATERIAL	PUR

TOLLERANZE	DISEGNATORE	DATA	SCALA	DISEGNO N.
U4H	LORENZO CERINO CONTROLATO	01.07.09	1:1	
DESCRIZIONE		TR0		MATERIALE
M12 CONNECTOR MALE 180°, 4POLES, WITH CABLE PUR/PUR, 4X0.25mm <sup>2</sup> , BLACK, LENGTH 0.22m		M12		
HTP High Tech Products		H.T.P. HIGH TECH PRODUCTS		CODE
				12MD4C0B2