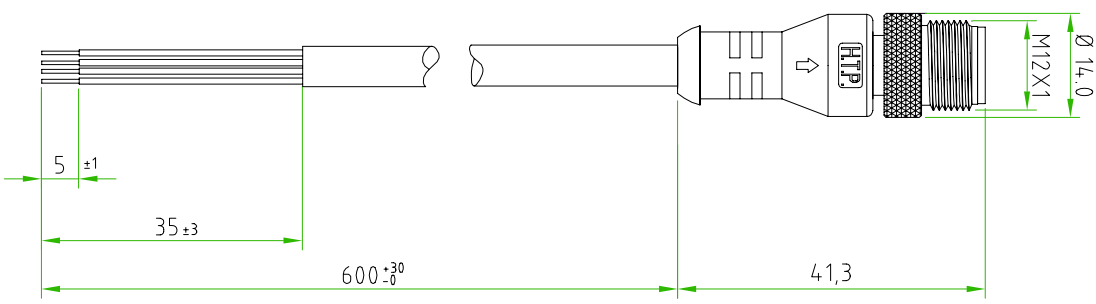
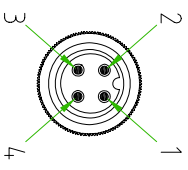


- BROWN ○ — 1
- WHITE ○ — 2
- BLUE ○ — 3
- BLACK ○ — 4



CONNECTOR FEATURES	
CONNECTOR TYPE	M12 180°
CONTACT TYPE	MALE 4POLES
CABLE LENGTH	600mm
PROTECTION CLASS	IP69K
STRIPPING	35mm STANDARD
PEELING AND TINNING	5mm STANDARD
NUMBER OF CONTACTS CONNECTED	N°4
RATED VOLTAGE	250V AC/DC
RATED CURRENT	4A
CONNECTOR WITH H.T.P. LOGO	
H.T.P. CABLE CODE	A
NUMBER OF CONDUCTORS	N°4
CONDUCTOR SECTION	0.25mm <sup>2</sup>
CABLE MATERIAL	PVC CEI2022
COATING COLOUR	BLACK
CONDUCTOR INSULATION MATERIAL	PVC

TOLLERANZE	DISIGNATORE	DATA	SCALA	DISIGNO N.
±0,3	LORENZO CHINNO	11.09.13	1:1	
UDM	ANGOLO	CONTROLATO		
DESCRIZIONE M12 MALE 180° 4 POLES WITH CABLE PVC/PVC CEI2022 4X0.25mm <sup>2</sup> BLACK L=3m CONNECTOR WITH H.T.P. LOGO				
			TIPO	MATERIALE
			M12	
<b>H.T.P.</b> HIGH TECH PRODUCTS				CODICE <b>12MD4A0F</b>