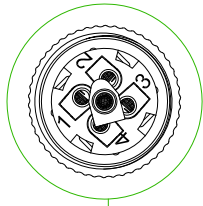


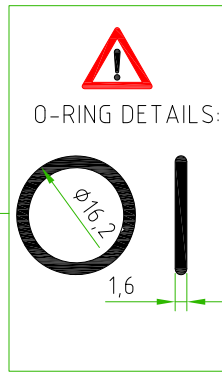
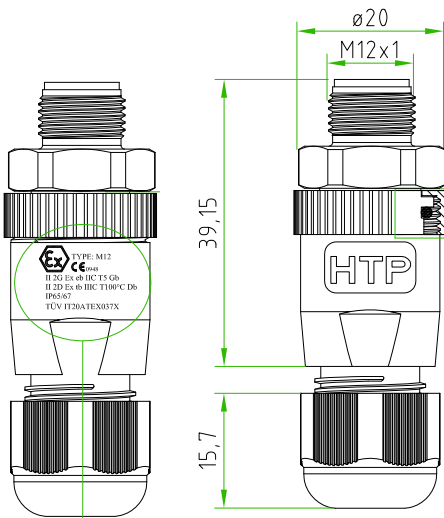
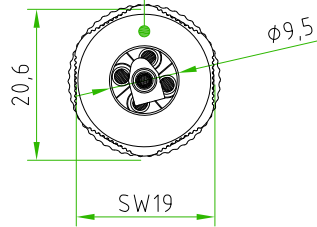
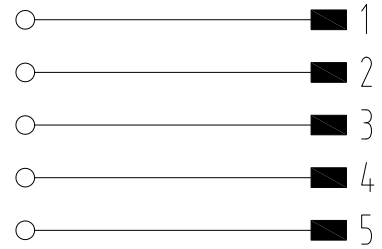
Rev.	Modify	Date	Signed	Approved

Rev.	Modify	Date	Signed	Approved

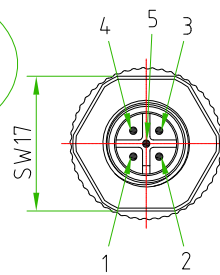
Rev.	Modify	Date	Signed	Approved





 ON THE INTERNAL CORE MUST BE SILK PRINTED THE CONTACTS NUMBERS



Ex TYPE: M12
CE 0948
 II 2G Ex eb IIC T5 Gb
 II 2D Ex tb IIC T100°C Db
 IP65/67
 TÜV IT20ATEX037X

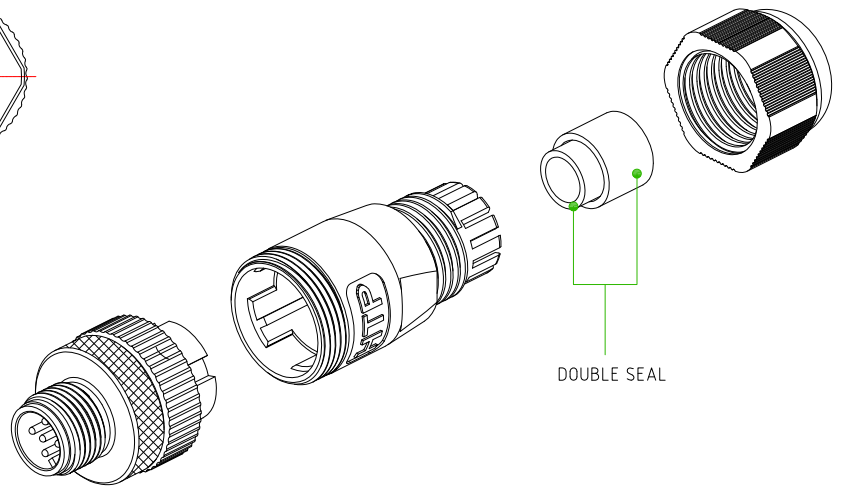


PRODUCT TYPE	M12 CIRCULAR CONNECTOR FIELD ATTACHABLE. MAIN REFERENCE NORM ATEX2014/34/EU 
CONNECTOR TYPE	STRAIGHT 180°
HOUSING MATERIAL/COLOUR	PA66 3004G-30 (30%GF)/BLACK
PRESS-CABLE MATERIAL/COLOUR	PA66 CM3004/BLACK
INTERNAL CORE MATERIAL/COLOUR	PA66 CM3004/BLACK
M12 SW17 EXAGONAL COUPLING NUT MATERIAL	BRASS + NICKEL PLATED
CONTACTS TYPE	MALE SCREW CONTACTS
NUMBER OF POLES	5POLES
CABLE EXIT	SK
SUITABLE CABLE	FROM 4mm TO 8.6mm
MAX.CONDUCTOR SIZE	0,75mm ² (AWG18)
PROTECTION CLASS	IP65/67
RATED VOLTAGE	60V AC/DC
RATED CURRENT	4A
CONNECTOR TEMPERATURE RANGE	from -20°C to +85°C
CONNECTOR WITH H.T.P. LOGO	
 PACKAGING: SINGLY PACKED IN PLASTIC BAG. ON EACH PLASTIC BAG MUST BE APPLIED THE ATEX LABEL. IN EACH PLASTIC BAG MUST BE INSERTED THE OPERATING INSTRUCTION SHEET.	

CUSTOMER APPROVAL

SIGNATURE	DATE

PLEASE SIGN AND RETURN



Designer	CIMMINO L.	Date	2021-06-14	Tolerance	±0.3	Units:	mm	Series	M12	Drawing n. 1-2
Approved	SUGLIANI R.	Date	2021-06-14	Scale	1:1	Size:	A4	Customer code:		
DESCRIPTION								H.T.P.PART NUMBER		
CIRCULAR CONNECTOR M12 FIELD ATTACHABLE MAIN REFERENCE NORM ATEX2014/34/EU,MALE,STRAIGHT 180°,5POLES, EXIT CABLE CABLE FROM 4mm TO 8.6mm. CONNECTOR WITH H.T.P.LOGO								12MC5000-SK-ATEX		

