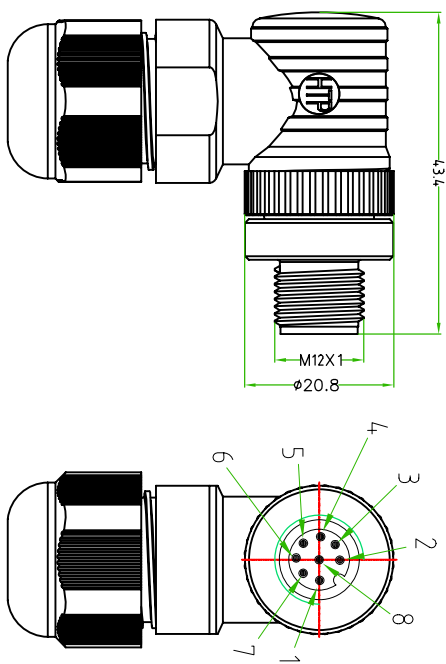


A	PRESS CABLE SREW
B	GAKET PRESS-CABLE SEAL
C	HOUSING BLACK
D	SCREW CONTACT GOLD PLATED
E	O-RING
F	INTERNAL CORE M12
G	PLASTIC NUT FOR HOUSING
H	M12 NUT ZN AL/NI



CONNECTOR FEATURES

PRODUCT TYPE	M12 TO CABLE
CONTACT TYPE	MALE
NUMBER OF CONTACTS	8POLES
HOUSING MATERIAL	P A66+15 Fiber glass
HOUSING TYPE	90°
HOUSING COLOUR	BLACK
RATED VOLTAGE	30V AC/DC
EXIT CABLE	FROM 4mm TO 9mm
RATED CURRENT	2A
COUPLING NUT MATERIAL	Zn Al/NI
O-RING	NBR
PROTECTION CLASS	IP67
TEMPERATURE RANGE	-25°C TO +90°C
CONNECTOR WITH H.T.P.L060	

TOLERANCE	±0.2	DESIGNATORE	DATA	SCALE	DESCRIZIONE N.
U/DAI	AMBILO	LUNGO CRINIO	06.06.12	1:1	
DESCRIZIONE	M12 CONNECTOR MALE 90° 8POLES TO CABLE. EXIT CABLE FROM 4mm TO 9mm		TRPO		MATERIALE
HTP HIGH TECH PRODUCTS		H.T.P.		CODICE	
				12MB8000-SK	