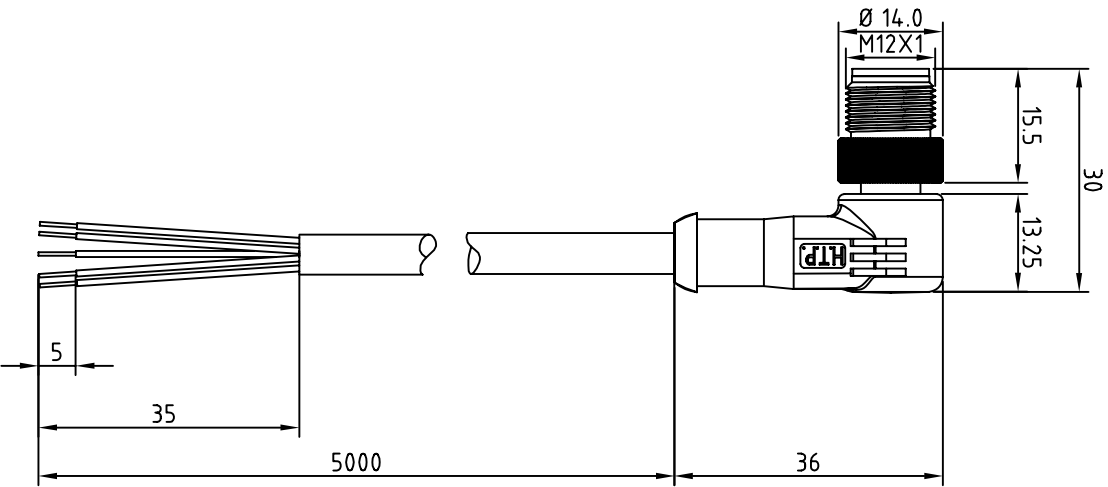
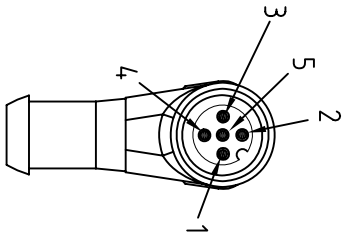


- BROWN — 1
- WHITE — 2
- BLUE — 3
- BLACK — 4
- GREY — 5



CABLE FEATURES		CONNECTOR FEATURES	
CONNECTOR TYPE	M12	CONNECTOR TYPE	MALE 5POLES
CONTACT TYPE		CABLE LENGTH	5000mm
CABLE LENGTH		PROTECTION CLASS	IP69K
PROTECTION CLASS		STRIPPING	35mm STANDARD
PEELING		NUMBER OF CONTACTS CONNECTED	5mm STANDARD
NUMBER OF CONTACTS CONNECTED	N°5	CONNECTOR WITH H.T.P LOGO	N°5
CONNECTOR WITH H.T.P LOGO		H.T.P. CABLE CODE	A
H.T.P. CABLE CODE	A	NUMBER OF CONDUCTORS	N°5
NUMBER OF CONDUCTORS	N°5	CONDUCTOR SECTION	0.25mm <sup>2</sup>
CONDUCTOR SECTION	0.25mm <sup>2</sup>	CABLE MATERIAL	PVC CEI2022
CABLE MATERIAL	PVC CEI2022	COATING COLOUR	BLACK
COATING COLOUR	BLACK	CONDUCTOR INSULATION MATERIAL	PVC
CONDUCTOR INSULATION MATERIAL	PVC		

TOLLERANZE	DISEGNATORE	DATA	SCALA	DISEGNO N.
U4H	LORENZO CHINNO CONTROLLATO	25.08.09	1:1	
DESCRIZIONE		TR00		MATERIALE
M12 MALE 90° 5 POLES, WITH CABLE PVC/PVC,CEI2022,5X0.25mm <sup>2</sup> ,BLACK,L=5m		M12		
<b>H.T.P.</b> HIGH TECH PRODUCTS			<b>12MA5A5Z</b>	