



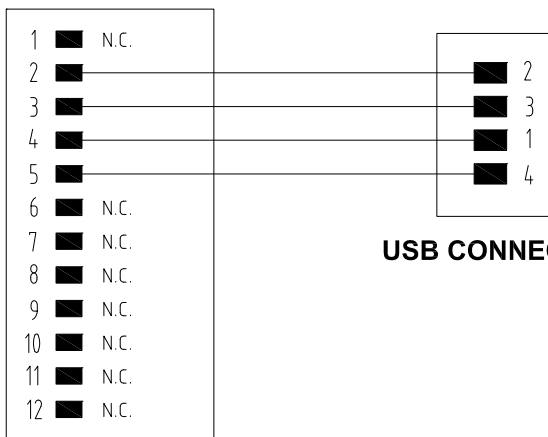
PACKAGING:
SINGLY PACKED IN A PLASTIC BAG.
IN EACH PLASTIC BAG MUST BE INSERTED THE
"USB CONNECTIONS SHEET"

105

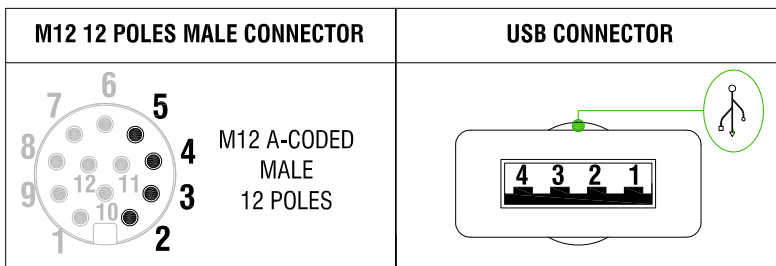


USB CONNECTIONS SHEET

M12 12 POLES CONNECTOR



USB CONNECTOR



CUSTOMER APPROVAL

SIGNATURE DATE

PLEASE SIGN
AND RETURN

Designer	SUGLIANI R.	Date	2019-03-11	Tolerance	±0.3	Units:	mm	Series	M12	Drawing n. 2-2
Approved	CIMMINO L.	Date	2019-03-11	Scale	1:1	Size:	A4	Customer code:		

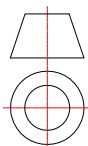
DESCRIPTION

CIRCULAR CONNECTOR M12, MALE, ANGLED 90°, 12 POLES, +DB9
FIELD ATTACHABLE CONNECTOR, WITH CABLE PVC/PVC CEI2022
4x0.25mm², BLACK COLOUR, L=5m, CONNECTOR WITH H.T.P. LOGO

H.T.P. PART NUMBER

12MA12XX5ZUSB-PLC

A4



Rev.				
Modify				
Date				
Signed				
Approved				

Rev.				
Modify				
Date				
Signed				
Approved				

Rev.				
Modify				
Date				
Signed				
Approved				