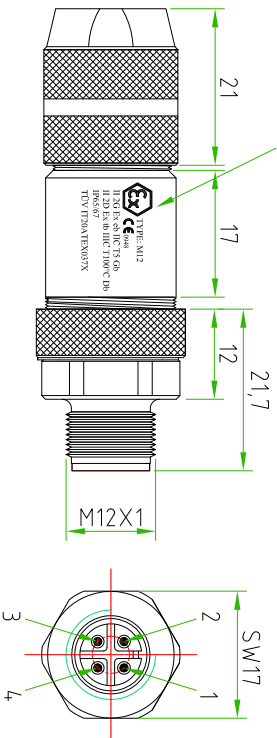


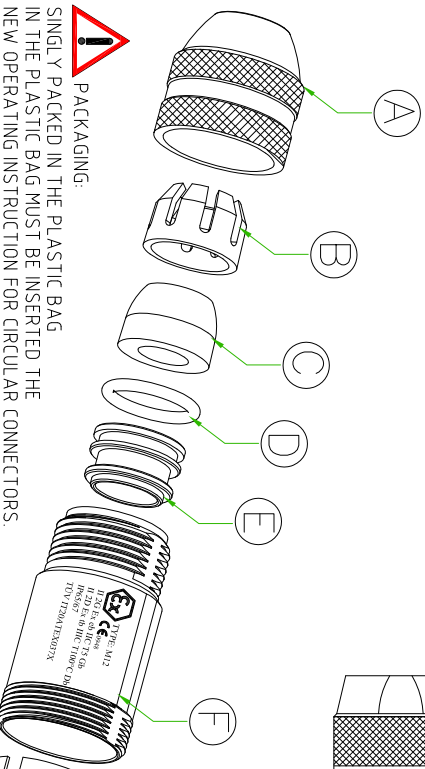
DATE	REV.	DESCRIPTION	NAME
07/08/2018	01	On the ATEX label and on the operating instructions must be added MADE IN CHINA.	ROBERTO SUGLIANI
11/2/2020	02	On the connector housing is changed the silk print and the ATEX logo. On the label of the plastic bag is changed the silk print and the ATEX logo. Is changed the new operating instruction. See the drawing	ROBERTO SUGLIANI

PAY ATTENTION:

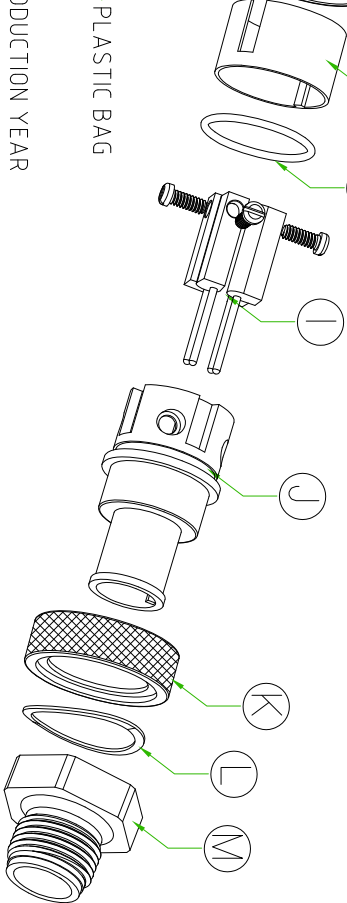
SILK SCREEN PRINT THE LOGO ATEX
 TYPE: M12
 CE 0948
REV. 02
 II 2G Ex db IIC T5 Gb
 II 2D Ex tb IIIc T100°C Db
 IP65/67
 TÜV IT20ATEX037X



- 1
- 2
- 3
- 4



PACKAGING:
 SINGLY PACKED IN THE PLASTIC BAG
 IN THE PLASTIC BAG MUST BE INSERTED THE
 NEW OPERATING INSTRUCTION FOR CIRCULAR CONNECTORS.



PLASTIC BAG

PRODUCTION YEAR
 EXAMPLE: 2016
 2017
 2018...

REV.01

H.T.P. PRODUCTION CODE

WHITE LABEL

H.T.P. S.r.l.
 I-24030 - BREMBATE DI SOPRA(BG)
 CODE: 12M14000-ATEX
 M12 METAL HOUSING
 5######
 MAX VOLTAGE: 250V AC/DC
 MAX CURRENT: 4A
 MADE IN CHINA



CONNECTOR FEATURES	
PRODUCT TYPE	M12 A-CODED FIELD ATTACHABLE
CONTACT TYPE	MALE
NUMBER OF CONTACTS	4POLES
HOUSING TYPE	180°
RATED VOLTAGE	250V AC/DC
RATED CURRENT	4A
COUPLING NUT MATERIAL	Brass+nickel plated (CuZnNi)
HOUSING MATERIAL	Brass+nickel plated (CuZnNi)
INTERNAL CORE MATERIAL	PA66 3004G-30 (30%GF)
O-RING	NBR
PROTECTION CLASS	IP5/IP67
CREPAGE AND CLEARANCE (MINIMUM DISTANCE BETWEEN CONTACTS EN-60079-7)	CREEDENCE: 2,6mm CLEARANCE: 2,1mm
CONNECTOR WITHOUT H.T.P. LOGO	

THIS CODE IS SPECIAL BECAUSE IS THE ATEX CONNECTORS MAIN REFERENCE NORM:ATEX2014/34/EU

A	PRESS CABLE SREW
B	LAMELLE PRESS-CABLE SEAL
C	GASKET PRESS-CABLE SEAL
D	O-RING
E	METAL HOLDER TO FIX THE SHIELD
F	HOUSING BRASS NICKEL PLATED
G	PLASTIC PROTECTION
H	O-RING
I	SCREW CONTACT GOLD PLATED
J	INTERNAL CORE M12 A-CODED
K	NUT FOR HOUSING BRASS NICKEL PLATED
L	METAL O-RING
M	M12 NUT BRASS NICKEL PLATED

TOLLERANZE	DISIGNAZIONE	DATA	SCALA	DISIGNO
±0,2	ROBERTO SUGLIANI	22.05.2017	1:1	1/2
UDM	ANGOLO	CONTROLLATO		
DESCRIZIONE		M12 MALE STRAIGHT 180° 4POLES, FIELD ATTACHABLE METAL HOUSING, CONNECTOR MAIN REFERENCE NORM ATEX2014/34/EU		TIPO
		H.T.P.		MATERIALE
		HIGH TECH PRODUCTS		
		H.T.P.		
		HIGH TECH PRODUCTS		
		CODE		
		12M14000-ATEX		

DATE	REV.	DESCRIPTION	NAME
07/08/2018	01	On the ATEX label and on the operating instructions must be added HAIJIE IN CHINA.	ROBERTO SUGLIANI
11/2/2020	02	On the connector housing is changed the silk print and the ATEX logo. On the label of the plastic bag is changed the silk print and the ATEX logo. Is changed the new operating instruction. See the drawing	ROBERTO SUGLIANI

REV. 02

FRONT

110

H.T.P. - High Tech Products S.R.L.
 24030 Brenate di Sopra (BG) - Italy
 Via Lesina 45 - 24030 Brenate di Sopra (BG) - Italy
 www.htp.it - info@htp.it

EUPEE DECLARATION OF CONFORMITY
 DICHIARAZIONE DI CONFORMITA' DEL TPO

H.T.P. - High Tech Products S.R.L.

Manufacturer's Name
 Nome del costruttore

Manufacturer's address
 Indirizzo del costruttore

Product description:
M12 Field attachable junction device SERIES:M12 PLASTIC HOUSING
M12 Field attachable junction device SERIES:M12 METAL HOUSING

In accordance with applicable regulations below
 2014/34/EU - Annex

Marking: M12 **II 2G Ex eb IIC T5 Gb** **II 2D Ex ib IIC T100°C Du IP69/67**
Marchatura: M8: **II 2G Ex eb IIC T5 Gb PFS97**

Certificate number edit by TÜV SÜD Ltd, notified Body number 0948: **TÜV 17Z041EK037X**
 Numero certificato emesso da TÜV SÜD Ltd. organismo Notificato numero 0948:

Compliance with the essential health and safety requirements has been assured by compliance with:
 La conformità dei requisiti essenziali di sicurezza e salute è assicurata dalla conformità alle norme:
EN 60079-0:2018 - EN IEC 60079-2:2015/5A:1:2018 - EN 60079-31:2014

The products of the above declaration comply with the relevant legislation of harmonization of the Union
 I prodotti della dichiarazione di cui sopra sono conformi alle pertinenti normative di armonizzazione dell'Unione

Brenate di Sopra (BG), Italy.
1305-2020
NOME E COGNOME
 Diego Lascarna (C.E.O.)

MADE IN CHINA

H.T.P. - High Tech Products S.R.L.
 24030 Brenate di Sopra (BG) - Italy
 Via Lesina 45 - 24030 Brenate di Sopra (BG) - Italy
 www.htp.it - info@htp.it

EUPEE DECLARATION OF CONFORMITY
 DICHIARAZIONE DI CONFORMITA' DEL TPO

H.T.P. - High Tech Products S.R.L.

Manufacturer's Name
 Nome del costruttore

Manufacturer's address
 Indirizzo del costruttore

Product description:
M12 Field attachable junction device SERIES:M12 PLASTIC HOUSING
M12 Field attachable junction device SERIES:M12 METAL HOUSING

In accordance with applicable regulations below
 2014/34/EU - Annex

Marking: M12 **II 2G Ex eb IIC T5 Gb** **II 2D Ex ib IIC T100°C Du IP69/67**
Marchatura: M8: **II 2G Ex eb IIC T5 Gb PFS97**

Certificate number edit by TÜV SÜD Ltd, notified Body number 0948: **TÜV 17Z041EK037X**
 Numero certificato emesso da TÜV SÜD Ltd. organismo Notificato numero 0948:

Compliance with the essential health and safety requirements has been assured by compliance with:
 La conformità dei requisiti essenziali di sicurezza e salute è assicurata dalla conformità alle norme:
EN 60079-0:2018 - EN IEC 60079-2:2015/5A:1:2018 - EN 60079-31:2014

The products of the above declaration comply with the relevant legislation of harmonization of the Union
 I prodotti della dichiarazione di cui sopra sono conformi alle pertinenti normative di armonizzazione dell'Unione

Brenate di Sopra (BG), Italy.
1305-2020
NOME E COGNOME
 Diego Lascarna (C.E.O.)

MADE IN CHINA

BACK

H.T.P. - High Tech Products S.R.L.
 24030 Brenate di Sopra (BG) - Italy
 Via Lesina 45 - 24030 Brenate di Sopra (BG) - Italy
 www.htp.it - info@htp.it

EUPEE DECLARATION OF CONFORMITY
 DICHIARAZIONE DI CONFORMITA' DEL TPO

H.T.P. - High Tech Products S.R.L.

Manufacturer's Name
 Nome del costruttore

Manufacturer's address
 Indirizzo del costruttore

Product description:
M12 Field attachable junction device SERIES:M12 PLASTIC HOUSING
M12 Field attachable junction device SERIES:M12 METAL HOUSING

In accordance with applicable regulations below
 2014/34/EU - Annex

Marking: M12 **II 2G Ex eb IIC T5 Gb** **II 2D Ex ib IIC T100°C Du IP69/67**
Marchatura: M8: **II 2G Ex eb IIC T5 Gb PFS97**

Certificate number edit by TÜV SÜD Ltd, notified Body number 0948: **TÜV 17Z041EK037X**
 Numero certificato emesso da TÜV SÜD Ltd. organismo Notificato numero 0948:

Compliance with the essential health and safety requirements has been assured by compliance with:
 La conformità dei requisiti essenziali di sicurezza e salute è assicurata dalla conformità alle norme:
EN 60079-0:2018 - EN IEC 60079-2:2015/5A:1:2018 - EN 60079-31:2014

The products of the above declaration comply with the relevant legislation of harmonization of the Union
 I prodotti della dichiarazione di cui sopra sono conformi alle pertinenti normative di armonizzazione dell'Unione

Brenate di Sopra (BG), Italy.
1305-2020
NOME E COGNOME
 Diego Lascarna (C.E.O.)

MADE IN CHINA

H.T.P. - High Tech Products S.R.L.
 24030 Brenate di Sopra (BG) - Italy
 Via Lesina 45 - 24030 Brenate di Sopra (BG) - Italy
 www.htp.it - info@htp.it

EUPEE DECLARATION OF CONFORMITY
 DICHIARAZIONE DI CONFORMITA' DEL TPO

H.T.P. - High Tech Products S.R.L.

Manufacturer's Name
 Nome del costruttore

Manufacturer's address
 Indirizzo del costruttore

Product description:
M12 Field attachable junction device SERIES:M12 PLASTIC HOUSING
M12 Field attachable junction device SERIES:M12 METAL HOUSING

In accordance with applicable regulations below
 2014/34/EU - Annex

Marking: M12 **II 2G Ex eb IIC T5 Gb** **II 2D Ex ib IIC T100°C Du IP69/67**
Marchatura: M8: **II 2G Ex eb IIC T5 Gb PFS97**

Certificate number edit by TÜV SÜD Ltd, notified Body number 0948: **TÜV 17Z041EK037X**
 Numero certificato emesso da TÜV SÜD Ltd. organismo Notificato numero 0948:

Compliance with the essential health and safety requirements has been assured by compliance with:
 La conformità dei requisiti essenziali di sicurezza e salute è assicurata dalla conformità alle norme:
EN 60079-0:2018 - EN IEC 60079-2:2015/5A:1:2018 - EN 60079-31:2014

The products of the above declaration comply with the relevant legislation of harmonization of the Union
 I prodotti della dichiarazione di cui sopra sono conformi alle pertinenti normative di armonizzazione dell'Unione

Brenate di Sopra (BG), Italy.
1305-2020
NOME E COGNOME
 Diego Lascarna (C.E.O.)

MADE IN CHINA

AVVERTENZE DI SICUREZZA

Prima di effettuare le operazioni di montaggio, assicurarsi che il cavo non sia collegato a una tensione elettrica.

Leggenda di giunzione: - Giunzione a colonna per estrazione.

Attrezzatura per l'uso - Dispositivo di giunzione a colonna per estrazione.

Attenzione! La giunzione deve essere collegata in modo sicuro e stabile.

Attenzione! Il presente dispositivo di giunzione può essere utilizzato solo quando adeguatamente collegato.

Operating instructions - Safety Field Attachable Junction device

BEFORE USING ANY OF THE ABOVE DEVICES, PLEASE READ THE INSTRUCTIONS CAREFULLY AND TAKE NECESSARY PRECAUTIONS TO AVOID ANY DAMAGE TO THE EQUIPMENT.

BEFORE USING ANY OF THE ABOVE DEVICES, PLEASE READ THE INSTRUCTIONS CAREFULLY AND TAKE NECESSARY PRECAUTIONS TO AVOID ANY DAMAGE TO THE EQUIPMENT.

BEFORE USING ANY OF THE ABOVE DEVICES, PLEASE READ THE INSTRUCTIONS CAREFULLY AND TAKE NECESSARY PRECAUTIONS TO AVOID ANY DAMAGE TO THE EQUIPMENT.

BEFORE USING ANY OF THE ABOVE DEVICES, PLEASE READ THE INSTRUCTIONS CAREFULLY AND TAKE NECESSARY PRECAUTIONS TO AVOID ANY DAMAGE TO THE EQUIPMENT.

BEFORE USING ANY OF THE ABOVE DEVICES, PLEASE READ THE INSTRUCTIONS CAREFULLY AND TAKE NECESSARY PRECAUTIONS TO AVOID ANY DAMAGE TO THE EQUIPMENT.

TOLLERANZE	±0.2	DISIGNATORE	DATA	SCALA	DESIGNO
UDM	ANGOLO	ROBERTO SUGLIANI CONTROLLATO	22.05.2017	1:1	2/2
DESCRIZIONE		M12 MALE STRAIGHT 180° 4POLES. FIELD ATTACHABLE METAL HOUSING. CONNECTOR MAIN REFERENCE NORM ATEX2014/34/EU	TP9	M12	MATERIALE
CODICE					12M14000-ATEX