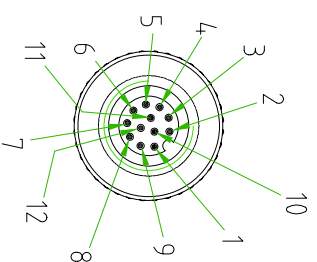
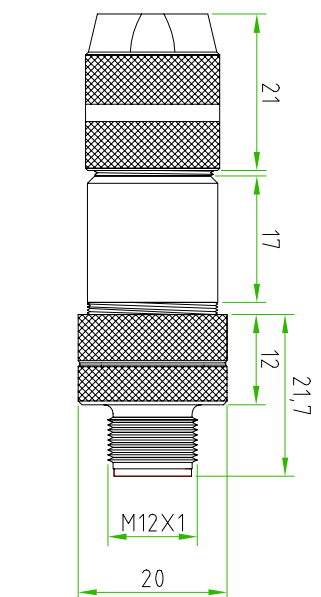


CONNECTOR FEATURES	
PRODUCT TYPE	M12 FIELD ATTACHABLE
CONTACT TYPE	MALE
NUMBER OF CONTACTS	12POLES
HOUSING MATERIAL	BRASS NICKEL PLATED
HOUSING TYPE	180°
RATED VOLTAGE	30V AC/DC
RATED CURRENT	15A
COUPLING NUT MATERIAL	Brass+nickel plated (CuZnNi)
HOUSING MATERIAL	Brass+nickel plated (CuZnNi)
O-RING	NBR
PROTECTION CLASS	IP67



A	PRESS CABLE SREW
B	LAMELLAE PRESS-CABLE SEAL
C	GASKET PRESS-CABLE SEAL
D	O-RING
E	METAL HOLDER TO FIX THE SHIELD
F	HOUSING BRASS NICKEL PLATED
G	PLASTIC PROTECTION
H	O-RING
I	SOLDER CONTACT GOLD PLATED
J	INTERNAL CORE M12
K	NUT FOR HOUSING BRASS NICKEL PLATED
L	METAL O-RING
M	M12 NUT BRASS NICKEL PLATED

TOLLERANZE	DESIGNATORE	DATA	SCALA	FIG.30
±0.2	LORENZO CAPPINO	20.07.12	1:1	
UDM	ANGOLIO	CONTROLLATO		

DESCRIZIONE	TP90	MATERIALE
M12 MALE FIELD ATTACHABLE 12POLES 180° METAL HOUSING	M12	