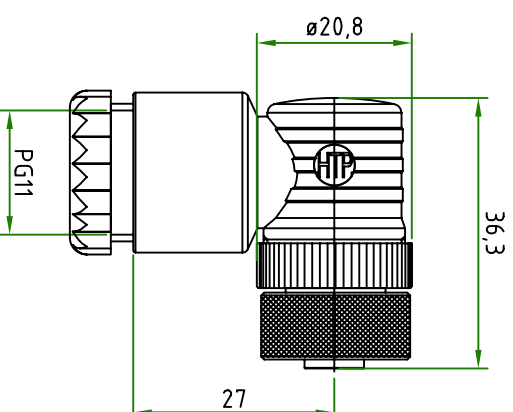
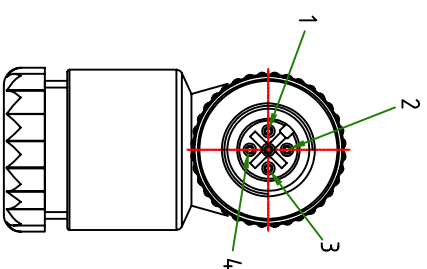


A	PRESS CABLE SREW
B	LAMELLAE PRESS-CABLE SEAL
C	GASKET WITH DOUBLE EXIT + METAL WASHER
D	N°2 GASKETS PRESS-CABLE SEAL PG9 AND PG11
E	HOUSING BLACK
F	SCREW CONTACT GOLD PLATED
G	O-RING
H	INTERNAL CORE M12
I	PLASTIC NUT FOR HOUSING
J	M12 NUT ZN AL/NI

CONNECTOR FEATURES	
TYPE CONTACT	FEMALE
NUMBER OF CONTACTS	4 POLES
RATED VOLTAGE	250V
RATED CURRENT	4A
TYPE HOUSING	ANGLED 90°
PRESS CABLE SCREW	PG11
HOUSING COLOUR	BLACK
PROTECTION CLASS	IP67
HOUSING WITH H.T.P. LOGO	



TOLLERANZE	DISEGNATORE	DATA	SCALA	DISEGNO N.
UANI	ANGOLO	05.12.11	1:1	
	LORENZO CHINNO			
	CONTROLLATO			
DESCRIZIONE	M12 FEMALE 90° 4 POLES TO CABLE PG9/PG11 UNIFIED, WITH H.T.P. LOGO.			DESIGNO N.
	TP90			M12
				MATERIALE
<b>H.T.P.</b> HIGH TECH PRODUCTS				
<b>12FU4000</b>				