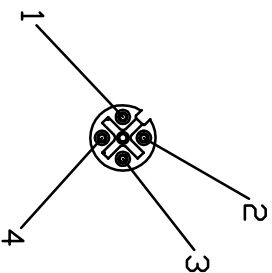
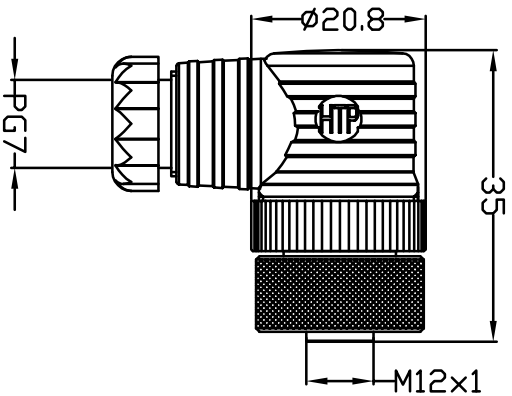
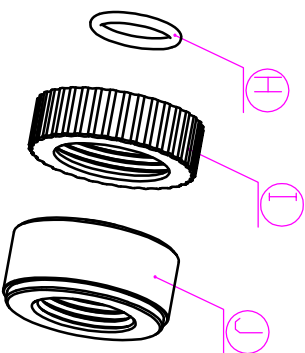
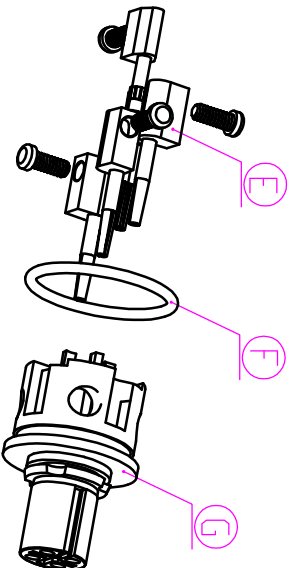
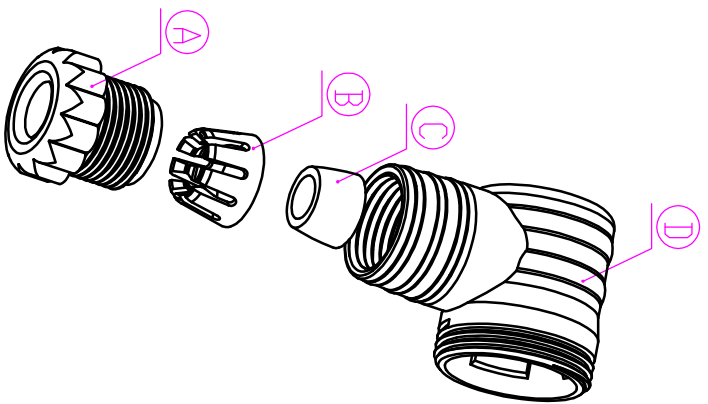


CONNECTOR FEATURES

TYPE CONTACT	FEMALE
NUMBER OF CONTACT	4 POLES
HOUSING	NYLON6 + 30%GLASS FIBRE
TYPE HOUSING	90°
COLOUR HOUSING	TRANSPARENT
PRESS CABLE SCREW	PG7
RATED VOLTAGE:	250V AC/DC
RATED CURRENT:	4A
CONTACT MATERIAL	PHOSPHOROUS BRONZE
CONTACT SURFACE MATERIAL:	NICKEL +0.45µm
COUPLING NUT MATERIAL:	Zn Al/Ni
O-RING:	NBR
PROTECTION CLASS:	IP67
TEMPERATURE RANGE:	-25°C TO +90°C



A	PRESS CABLE SCREW
B	LAMELLAE PRESS-CABLE SEAL
C	GAKET PRESS-CABLE SEAL
D	HOUSING TRANSPARENT
E	SCREW CONTACT GOLD PLATED
F	O-RING
G	INTERNAL CORE M12
H	O-RING
I	PLASTIC NUT FOR HOUSING
J	M12 NUT ZN AL/Ni

TOLLERANCE		DIMENSIONE		DATA		SCALA		PESO	
UMI	ANGOLI	NUMERO	CONTROLLATO	14-01-09	1:1				
DESCRIZIONE		MATERIALE		TIPO					
M12 FEMALE TO CABLE 4 POLES		90° TRANSPARENT PGT WITH LOGO		M12					
HTP High Tech Products		HTP HIGH TECH PRODUCTS		12FT4000					