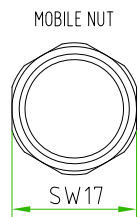
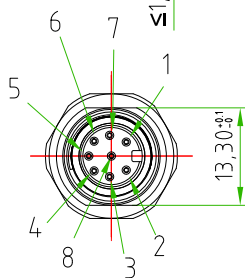
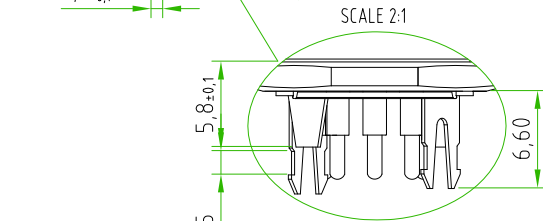
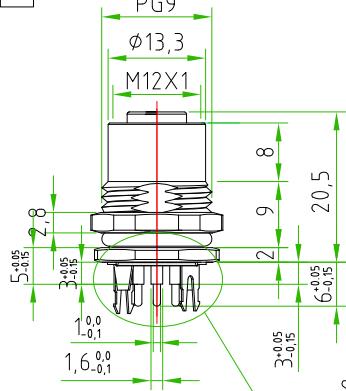
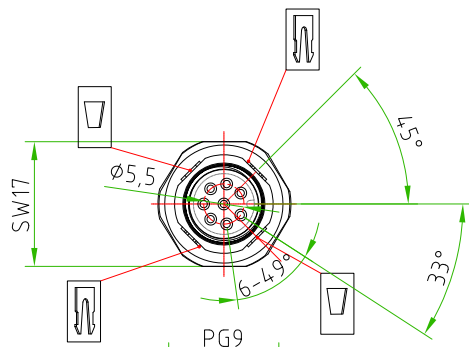


Rev.		Modify		Date		Signed		Approved	

Rev.		Modify		Date		Signed		Approved	

Rev.	01	Modify	-	Date	2019.04.04	Signed	SUGLIANI	Approved	CIMMINO



- ————— C 1
- ————— C 2
- ————— C 3
- ————— C 4
- ————— C 5
- ————— C 6
- ————— C 7
- ————— C 8

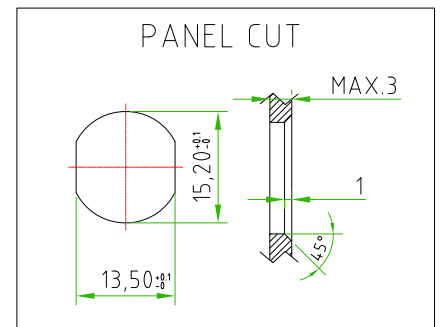
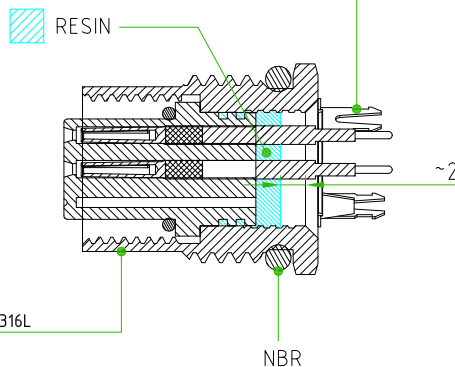
CONNECTOR FEATURES	
PRODUCT TYPE	M12 CIRCULAR CONNECTOR TO PANEL WITH SOLDER CONTACTS FOR PCB
TYPE MOUNTING	BACK MOUNTING
CONTACTS TYPE	FEMALE 8POLES
NUMBER OF CONTACTS CONNECTED	N°8
HOUSING MATERIAL	STAINLESS STEEL AISI316L
O-RING MATERIAL	NBR
FIXING THREAD	PG9
SIZE CUT	13,30mm (+0,1/-0)
SIZE FIXED NUT(SW)	SW17
SIZE MOBILE NUT(SW)	SW17
PROTECTION CLASS	IP67
RATED VOLTAGE	30V AC/DC
RATED CURRENT	2A
CONNECTOR WITHOUT ANY LOGO	
<b>PAY ATTENTION:</b> THE METAL SHEET WILL BE PROVIDED BY NDT CODE: 12-METALSHEET-SH MATERIAL: BRASS + NICKEL PLATED	

**PAY ATTENTION** to the position of the polarization key towards the CUT and the exagonal fixing nut.

**METAL-SHEET MATERIAL:**  
BRASS NICKEL PLATED

**REV.01**  
**PAY ATTENTION:**  
THE RESIN HAS NOT TO COME OUT FROM THE CONNECTOR

**HOUSING MATERIAL:**  
STAINLESS STEEL AISI316L



CUSTOMER APPROVAL	
SIGNATURE	DATE
PLEASE SIGN AND RETURN	

Designer	CIMMINO L.	Date	2018-12-21	Tolerance	±0.2	Units:	mm	Series	M12	Drawing n.
Approved	SUGLIANI R.	Date	2018-12-21	Scale	1:1	Size:	A4	Customer code:	A0206375	



**DESCRIPTION**  
CIRCULAR CONNECTOR M12,FEMALE,TO PANEL,8POLES,BACK MOUNTING,PG9 THREAD, COMPLETE WITH CUT,WITH CONTACTS SUITABLE TO BE SOLDERED ON PCB. CONNECTOR IN STAINLESS STEEL MATERIAL (AISI316L) + METAL SHEET IN BRASS+ NICKEL PLATED.

**H.T.P.PART NUMBER**  
12FS8000-PG9IN316-SH

A4

