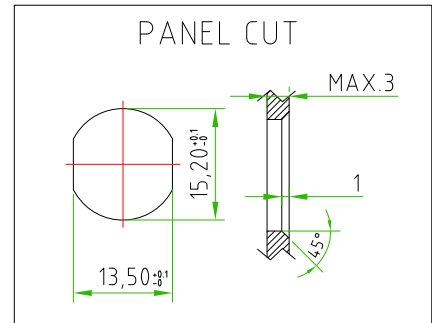
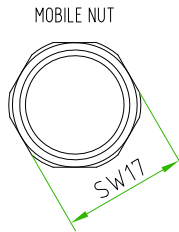
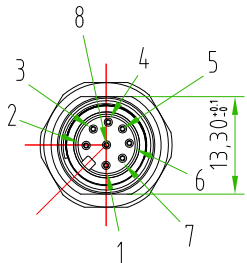
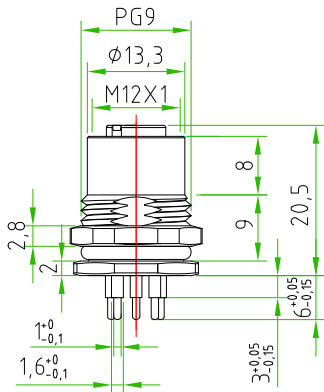
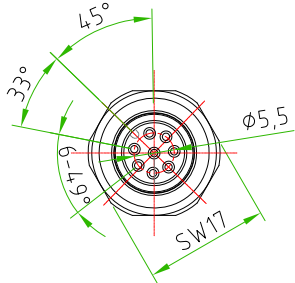


Rev.	Modify	Date	Signed	Approved

Rev.	Modify	Date	Signed	Approved

Rev.	Modify	Date	Signed	Approved



PAY ATTENTION to the position of the polarization key towards the CUT and the exagonal fixing nut.

- ————— C 1
- ————— C 2
- ————— C 3
- ————— C 4
- ————— C 5
- ————— C 6
- ————— C 7
- ————— C 8

PRODUCT TYPE	M12 CIRCULAR CONNECTOR TO PANEL WITH CONTACTS SUITABLE FOR PCB
TYPE MOUNTING	BACK MOUNTING
CONTACTS TYPE	FEMALE 8POLES
NUMBER OF CONTACTS CONNECTED	N°8
HOUSING MATERIAL	BRASS+NICKEL PLATED
O-RING MATERIAL	NBR
FIXING THREAD	PG9
SIZE CUT	13,30mm (+0,1/-0)
SIZE FIXED NUT(SW)	SW17
SIZE MOBILE NUT(SW)	SW17
PROTECTION CLASS	IP67
RATED VOLTAGE	30V AC/DC
RATED CURRENT	2A
CONNECTOR WITHOUT ANY LOGO	

CUSTOMER APPROVAL

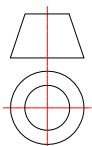
SIGNATURE

DATE

PLEASE SIGN AND RETURN

A4

Designer	CIMMINO L.	Date	2019-03-29	Tolerance	±0.3	Units:	mm	Series	M12	Drawing n. 1-1
Approved	SUGLIANI R.	Date	2019-03-29	Scale	1:1	Size:	A4	Customer code:		



DESCRIPTION

CIRCULAR CONNECTOR M12,FEMALE,TO PANEL,4POLES,BACK MOUNTING,PG9 THREAD, COMPLETE WITH CUT,WITH CONTACTS SUITABLE TO BE SOLDERED ON PCB. CONNECTOR WITHOUT ANY LOGO

H.T.P.PART NUMBER

12FS8000-PG9-CUT