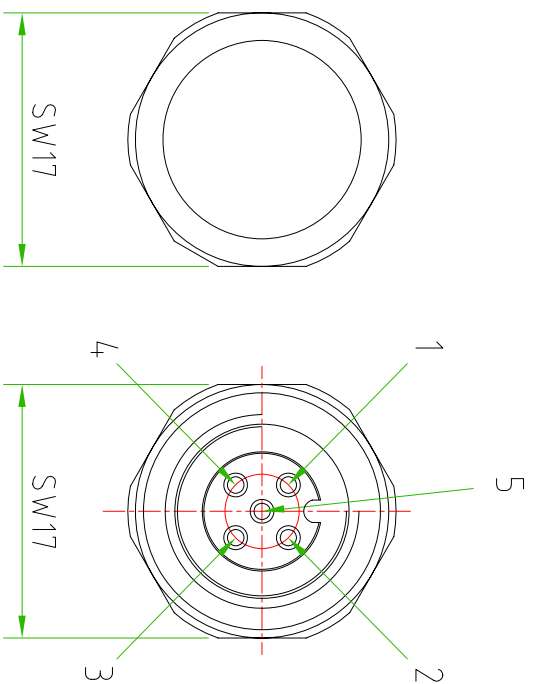
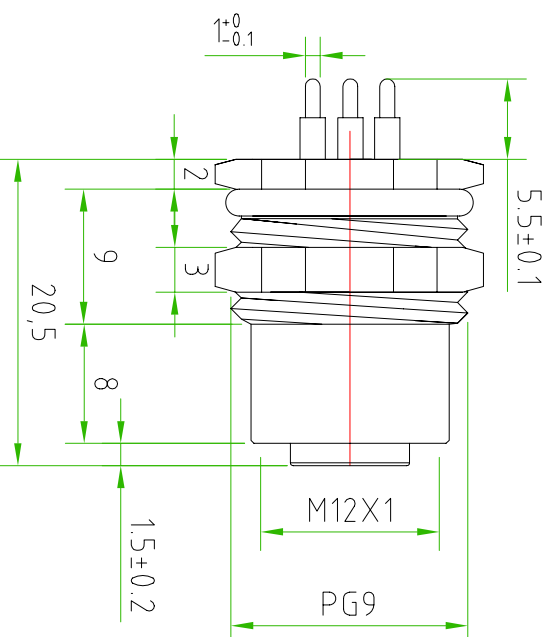


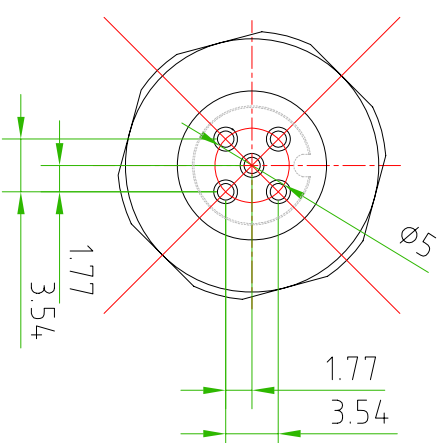
Frontal view



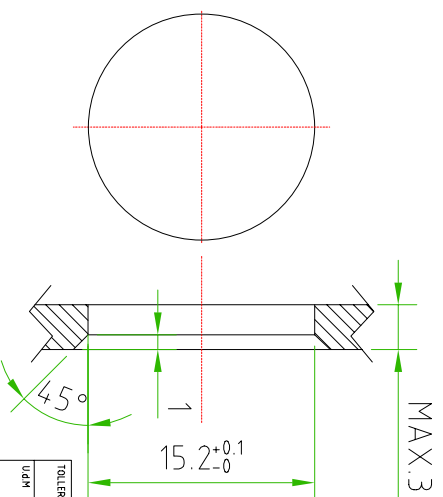
Lateral view



Back view



PANEL SIZE



CONNECTOR FEATURES

CONNECTOR TYPE	M12 TO PANEL
MOUNTING TYPE	BACK
CONTACT TYPE	FEMALE
NUMBER OF CONTACTS CONNECTED	n°5
HOUSING MATERIAL	Brass+nickel plated (CuZnNi)
FIXING THREAD	PG9
SWITCH FIXED NUT	SW17
CONTACT TYPE	SOLDERED FOR PCB
CONTACT LENGTH	5.5mm ±0.1
RATED VOLTAGE	60V
RATED CURRENT	4A

TOLLERANZE	DISIGNATORE	DATA	SCALA	DISIGNO N.
UDM	±0.2	25.10.12	2:1	
ANGOLO	LORENZO CHINIO			
	CONTROLLATO			

DESCRIZIONE  
M12 FEMALE PANEL 5 POLES  
BACK MOUNTING PG9 FOR PCB

TRPO

M12

MATERIALE



High Tech Products  
H.T.P.  
HIGH TECH PRODUCTS

CODE  
12FSS5000-PG9