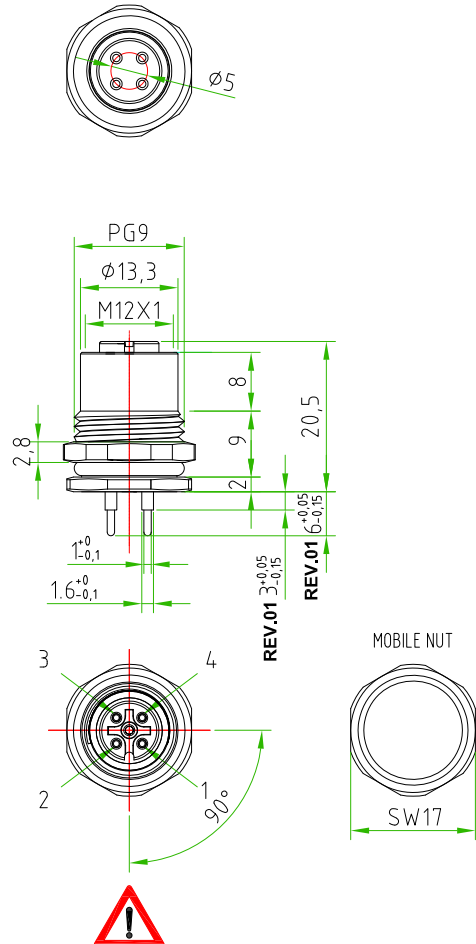
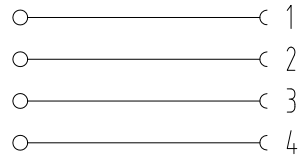



Rev.	Modify	Date	Signed	Approved

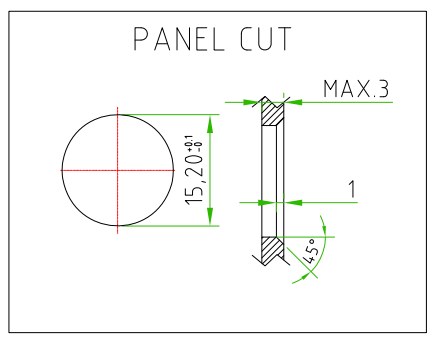
Rev.	Modify	Date	Signed	Approved

Rev.	Modify	Date	Signed	Approved
01	-	2018.10.22	SUGLIANI	CIMMINO



 PAY ATTENTION to the position of the polarization key towards the exagonal fixed nut.

CONNECTOR FEATURES	PRODUCT TYPE	M12 CIRCULAR CONNECTOR TO PANEL WITH SOLDER CONTACTS FOR PCB
	TYPE MOUNTING	BACK MOUNTING
	CONTACTS TYPE	FEMALE 4POLES
	NUMBER OF CONTACTS CONNECTED	N°4
	HOUSING MATERIAL	BRASS+NICKEL PLATED
	O-RING MATERIAL	NBR
	FIXING THREAD	PG9
	SIZE FIXED NUT(SW)	SW17
	SIZE MOBILE NUT(SW)	SW17
	PROTECTION CLASS	IP67
	RATED VOLTAGE	250V AC/DC
	RATED CURRENT	4A
CONNECTOR WITHOUT ANY LOGO		



A4

Designer	SUGLIANI R.	Date	2016-11-17	Tolerance	±0.2	Units:	mm	Series	M12	Drawing n.
Approved	CIMMINO L.	Date	2016-11-17	Scale	1:1	Size:	A4	Customer code:		



**DESCRIPTION**  
 CIRCULAR CONNECTOR M12,FEMALE,TO PANEL,4POLES,BACK MOUNTING, PG9 THREAD,WITH CONTACTS SUITABLE TO BE SOLDERED ON PCB. CONNECTOR WITHOUT ANY LOGO

**H.T.P.PART NUMBER**  
 12FS4000-PG9