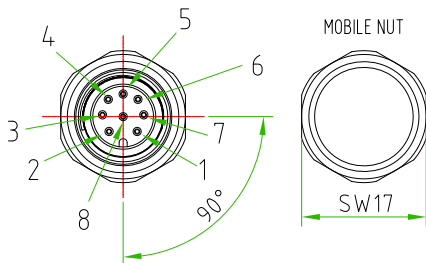
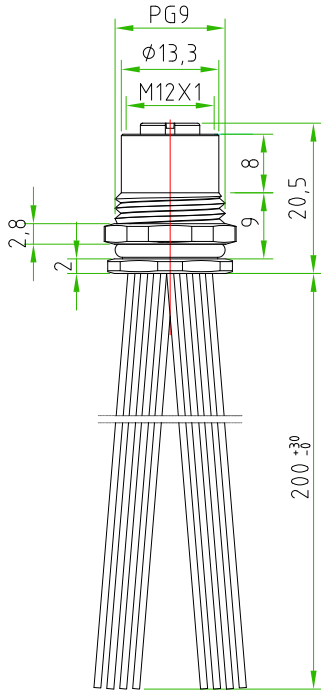
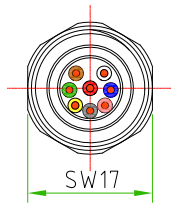


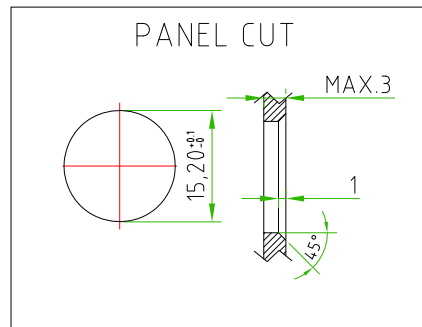
Rev.	Modify	Date	Signed	Approved
Rev.	Modify	Date	Signed	Approved
Rev.	Modify	Date	Signed	Approved
Rev.	Modify	Date	Signed	Approved
Rev.	Modify	Date	Signed	Approved



PAY ATTENTION to the position of the polarization key towards the exagonal fixed nut.

- WHITE ○ — C 1
- BROWN ○ — C 2
- GREEN ○ — C 3
- YELLOW ○ — C 4
- GREY ○ — C 5
- PINK ○ — C 6
- BLUE ○ — C 7
- RED ○ — C 8

CONNECTOR FEATURES	PRODUCT TYPE	M12 CIRCULAR CONNECTOR TO PANEL WITH WIRES.
	TYPE MOUNTING	BACK MOUNTING
	CONTACTS TYPE	FEMALE 8POLES
	NUMBER OF CONTACTS CONNECTED	N°8
	HOUSING MATERIAL	BRASS+NICKEL PLATED
	INTRENAL CORE MATERIAL	PA66
	O-RING MATERIAL	NBR
	FIXING THREAD	PG9
	SIZE FIXED NUT(SW)	SW17
	SIZE MOBILE NUT(SW)	SW17
	PROTECTION CLASS	IP67
	RATED VOLTAGE	30V AC/DC
RATED CURRENT	2A	
TEMPERATURE RANGE	-25°C +80°C	
CONNECTOR WITHOUT ANY LOGO		
WIRES FEATURES	NUMBER OF CONDUCTORS	N°8
	CONDUCTORS SECTION	0,25mm <sup>2</sup>
	CONDUCTORS INSULATION MATERIAL	PVC
	CONDUCTORS LENGHT	200mm



CUSTOMER APPROVAL

SIGNATURE	DATE

PLEASE SIGN AND RETURN

A4

Designer	SUGLIANI R.	Date	2016-12-06	Tolerance	±0.3	Units:	mm	Series	M12	Drawing n.
Approved	CIMMINO L.	Date	2016-12-06	Scale	1:1	Size:	A4	Customer code:		

	DESCRIPTION	H.T.P.PART NUMBER
	CIRCULAR CONNECTOR M12,FEMALE,TO PANEL,8POLES,BACK MOUNTING, PG9 THREAD, WITH N°8 WIRES PVC 0,25mm <sup>2</sup> L=200mm . CONNECTOR WITHOUT ANY LOGO	